



## Industrial Panel PC

### Features

- LCD Size: 10.4", 12.1", 15", 17" with Touch Panel
- E3845 (1.91 GHz) CPU
- WES7 (Windows Embedded Standard 7)
- Support eLogger HMI (free)
- NEMA 4/IP65 Compliant Front Panel
- Ultra-Rugged Construction and Reliable Design
- Operating Temperature : -20 °C ~ +60 °C



### Introduction

The iPPC-4801-WES7, iPPC-5801-WES7, iPPC-6801-WES7 and iPPC-7801-WES7 are WES7 based Panel PC that combine computing, I/O, and operator interface into a single unit, and provide the perfect solution for integrating HMI, data acquisition and control in an individual PAC. It is equipped with an Intel Atom E3845 CPU, TFT LCD and a variety of connectives including dual Gigabit Ethernet, USB port, RS-232 and RS-485 interface. The operating system is pre-installed in the built-in mSATA SSD, and the storage can be expanded from a Compact Flash slot. Remote I/O expansion is available to use our Ethernet I/O modules and RS-485 I/O modules. Designed for panel mount installation, the front panel is NEMA 4/IP65 rated and can withstand sprayed water, humidity and extreme dust. Designed to operate over a wide -20 ~ 60 °C ambient temperature range, the fanless design offers the ultimate in reliability with no moving parts.

Since WES7 has the same Win32 API as Windows 7, most popular applications on desktop can run on WES7 based Panel PC.

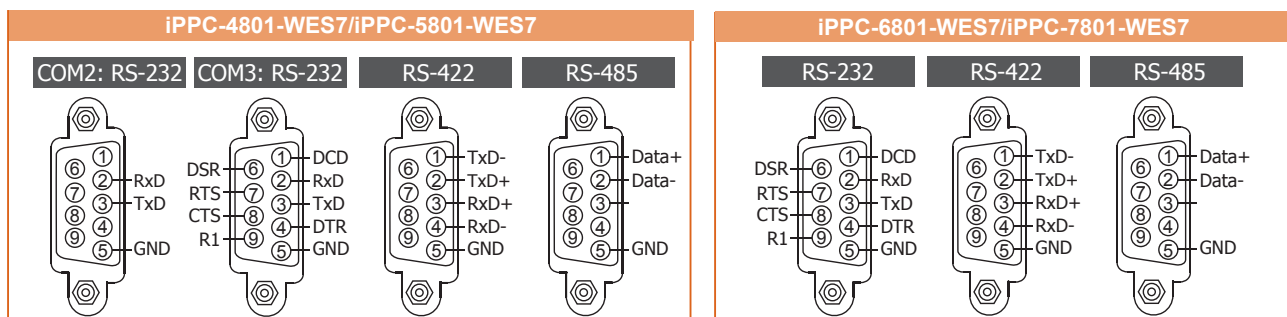
### Specifications

Models	iPPC-4801-WES7	iPPC-5801-WES7	iPPC-6801-WES7	iPPC-7801-WES7
<b>LCD</b>				
Diagonal Size	10.4" (4:3)	12.1" (4:3)	15" (4:3)	17" (4:3)
Resolution	800 x 600	800 x 600	1024 x 768	1280 x 1024
Brightness (cd/m2)	400		350	
Contrast Ratio	500 : 1	700 : 1		
LED Backlight Life (hrs)	50,000			
Touch Panel	5-wire, resistive type; light transmission: 80 %			
LED Indicator	2 (Run, PWR)	4 (Run, PWR, L1, L2; L1 and L2 for user programmable)		
<b>System Software</b>				
OS	Microsoft Windows Embedded Standard 7 SP1			
Framework Support	.Net Framework 3.5 SP1, 4.0, 4.5			
Embedded Service	IE11, FTP Server, IIS 7.0, ASP (Java Script, VB Script)			
SDK Provided	DII for Visual Studio.Net			
Multilanguage Support	English, German, French, Spanish, Portuguese, Russian, Italian, Korean, Japanese, Simplified Chinese, Traditional Chinese			

## Specifications

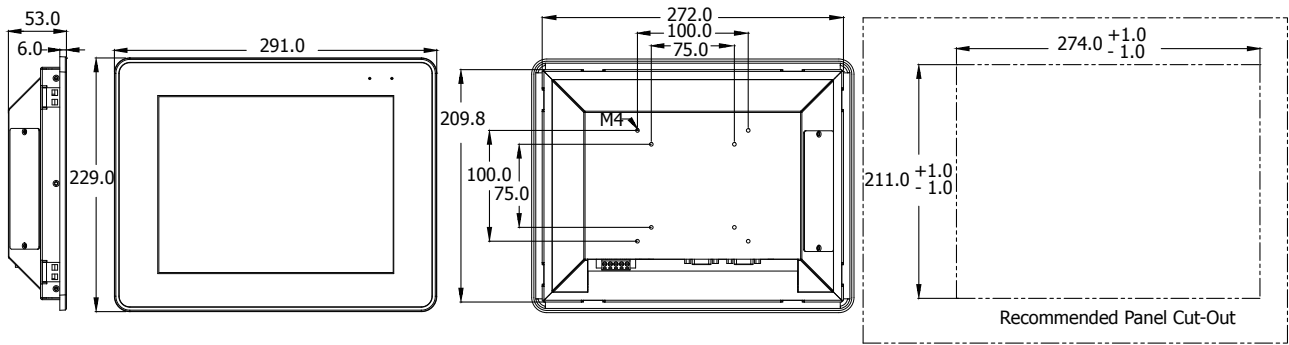
Models	iPPC-4801-WES7	iPPC-5801-WES7	iPPC-6801-WES7	iPPC-7801-WES7
<b>CPU Module</b>				
CPU	E3845 (1.91 GHz, 64-bit quad core)			
SDRAM (DDR3)	4 GB			
MRAM	128 KB			
Flash (SSD)	mSATA slot with one 32 GB SSD			
EEPROM	16 KB			
Memory Expansion	CF slot with a 8 GB CF card (support up to 32 GB)			
RTC (Real Time Clock)	Provide second, minute, hour, date, day of week, month, year			
64-bit Hardware Serial Number	Yes, for software copy protection			
Dual Watchdog Timers	Yes (0.8 second)			
Rotary Switch	Yes (0 ~ 9)			
<b>Communication Ports</b>				
Ethernet	1 x RJ-45 10/100/1000 Base-TX	2 x RJ-45 10/100/1000 Base-TX		
USB 2.0	2			4
COM 2	RS-232/RS-422/RS-485			
COM 3	RS-232/RS-422/RS-485			
Audio	Earphone-out	Mic-in and Earphone-out		
<b>Mechanical</b>				
Dimensions (W x H x D, unit: mm)	291 x 229 x 53	323 x 254 x 63	381 x 305 x 63	413x 359 x 69
Panel Cut-Out (W x H, unit: mm)	274 x 211, ± 1	308 x 239, ± 1	364 x 288, ± 1	394 x 340, ± 1
Installation	Panel Mounting, VESA Mounting (75 x 75, 100 x 100)			
Ingress Protection	Front panel: NEMA 4/IP65			
<b>Environmental</b>				
Operating Temperature	-20 °C ~ +60 °C			
Storage Temperature	-20 °C ~ +70 °C			
Ambient Relative Humidity	10 % ~ 90 % RH (non-condensing)			
<b>Power</b>				
Input Range	+10 V <sub>DC</sub> ~ +30 V <sub>DC</sub>			
Isolation	1500 V <sub>DC</sub> min			
Consumption	22 W	27 W	29 W	36 W

## Pin Assignments

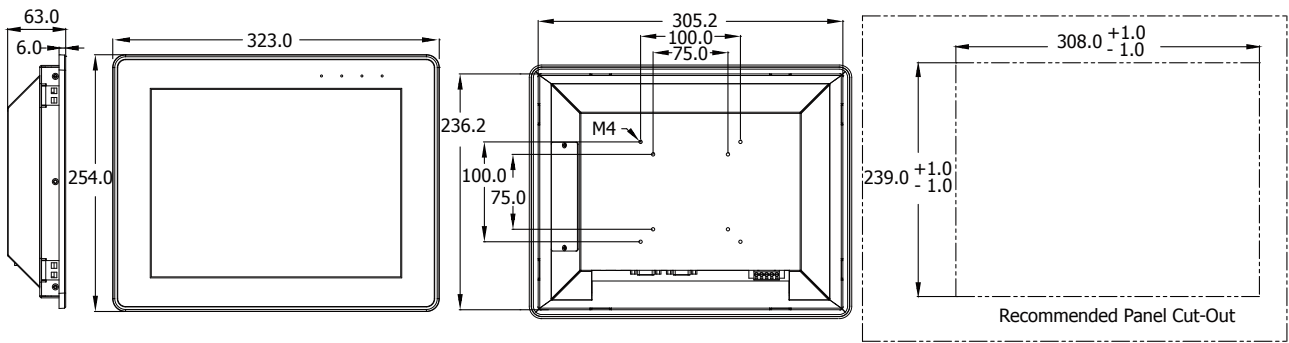


## ■ Dimensions

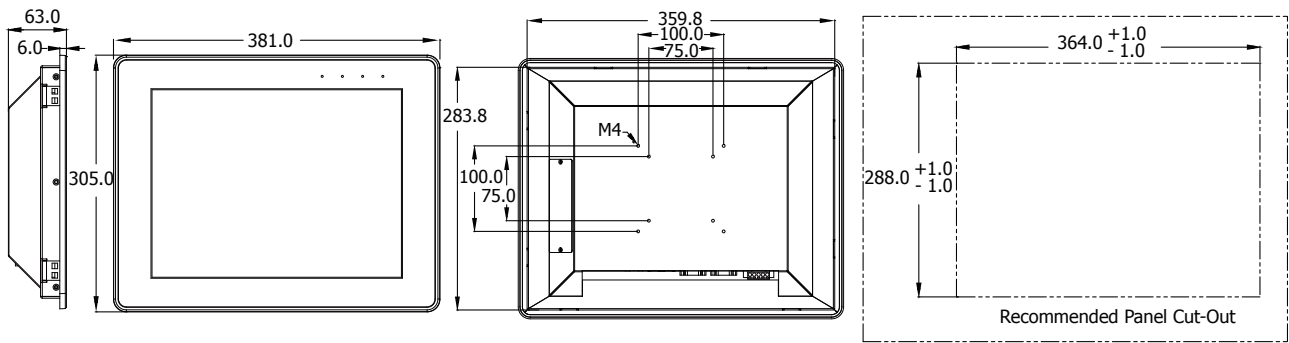
iPPC-4801-WES7



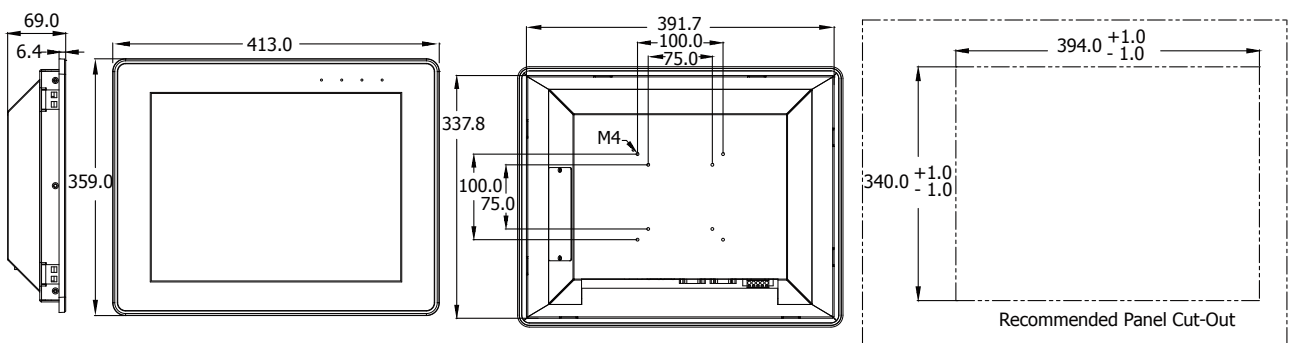
iPPC-5801-WES7



iPPC-6801-WES7

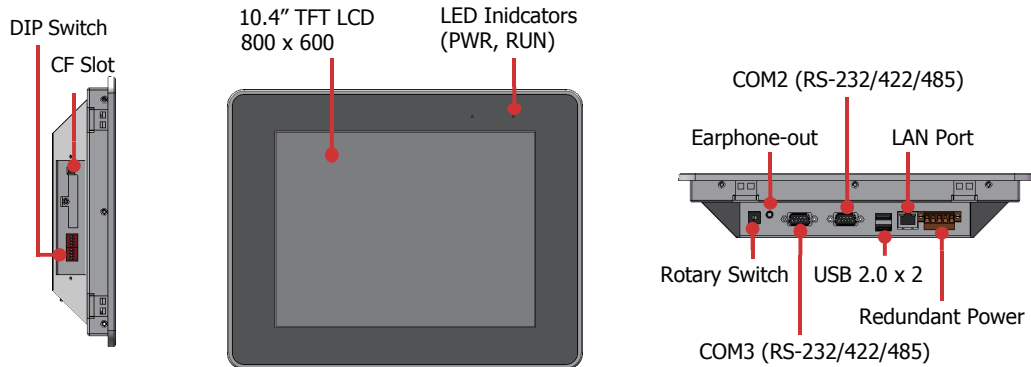


iPPC-7801-WES7

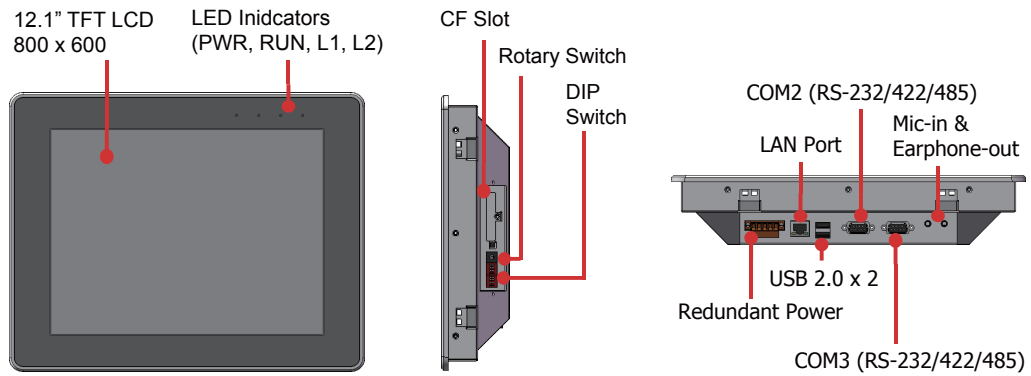


## Appearances

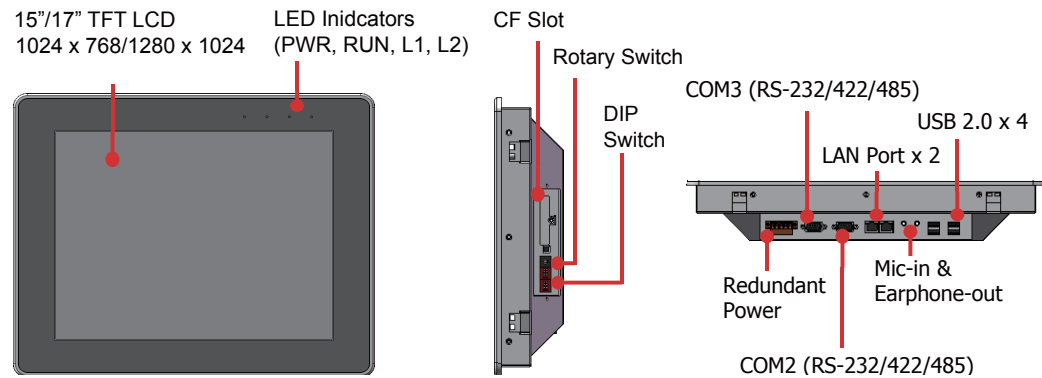
### iPPC-4801-WES7



### iPPC-5801-WES7



### iPPC-6801-WES7/iPPC-7801-WES7



## Ordering Information

<b>iPPC-4801-WES7</b>	10.4" Panel PC with Atom E3845 CPU and WES7 OS
<b>iPPC-5801-WES7</b>	12.1" Panel PC with Atom E3845 CPU and WES7 OS
<b>iPPC-6801-WES7</b>	15" Panel PC with Atom E3845 CPU and WES7 OS
<b>iPPC-7801-WES7</b>	17" Panel PC with Atom E3845 CPU and WES7 OS

## Accessories

<b>DP-660</b>	24 V <sub>DC</sub> /2.5 A, 60 W and 5 V <sub>DC</sub> /0.5 A, 2.5 W Power Supply with DIN-Rail Mounting
<b>MDR-60-24 CR</b>	24 V <sub>DC</sub> /2.5 A, 60 W Power Supply with DIN-Rail Mounting (RoHS)