

DAUGHTER BOARD USER GUIDE

for DN-8K16P16R

English/ Jan. 2012/ Version 1.0



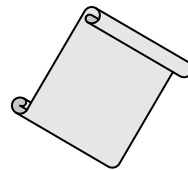
1

What's in the shipping package?

- One DN-8K16P16R Daughter Board
- One User Guide (This document)
- One CA-3710D Cable



DN-8K16P16R



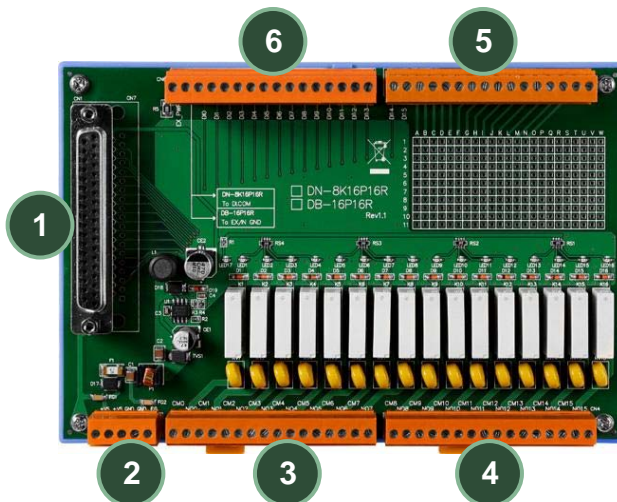
User Guide



CA-3710D

2

Layout



1 CN1 for I-8042W/I-87042W

2 CN2 for Power supply + 12 ~ 30 Vdc

3 CN3 for Relay output CH0 ~ CH7

4 CN4 for Relay output CH8 ~ CH15

5 CN5 for DI Input CH14 ~ CH15

6 CN6 for DI Input CH0 ~ CH13

3 Features

- 16 Form A Signal Relay
- 37-pin D-sub connector to quickly link to a I-8042W and I-87042W
- 16 LEDs to display the state of individual relays
- Screw terminals for field wiring
- Power Input: +12 ~ +30 V_{DC}
- Operating temperatures: -25 ~ +75°C
- DIN-Rail mounting for industrial usage

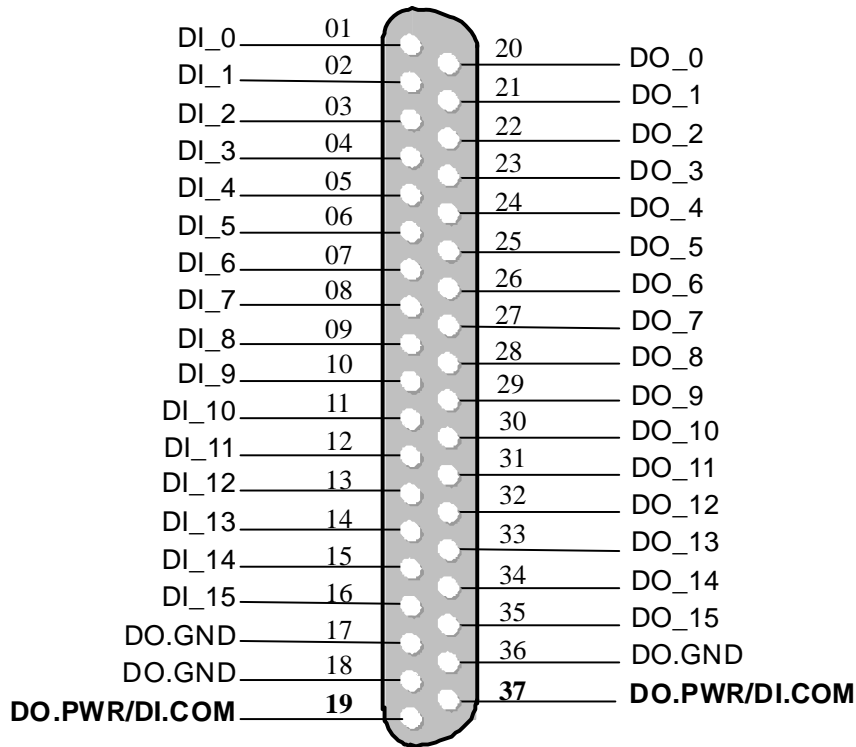
4 Specifications

Digital Input	
Channels	16
Type	Pin-to-pin terminals
Input Range	Depending on I-8042W/I-87042W used
Relay Output	
Channels	16
Contact Arrangement	SPST-NO (1 Form A)
Max. Switching Voltage	125 V _{DC} , 270 V _{AC} Rated
Contact Current	3 A
Max. Contact Current	5 A
Max. Contact Capacity	1250 VA, 150 W
Operate Time (typical)	6 ms
Release Time (typical)	3 ms
Electrical Life (Resistive Load)	250 V _{AC} /30 V _{DC} , 3 A 100,000 ops. Min. (10 ops./minute) 250 V _{AC} /30 V _{DC} , 5 A 6,000 ops. Min. (10 ops./minute)
Mechanical Life	20,000,000 ops. at no load. (300 ops./minute)
Mechanical	
Dimensions	118 mm x 174 mm
Installation	DIN-Rail mounting
Environment	
Operating Temperature	-25 ~ +75°C
Storage Temperature	-30 ~ +80°C
Humidity	10% ~ 90%, non-condensing
Power Requirements	
Power Input	+12 ~ 30 V _{DC}
Power Consumption	30 V _{DC} @ 0.125 A = 3.75 W

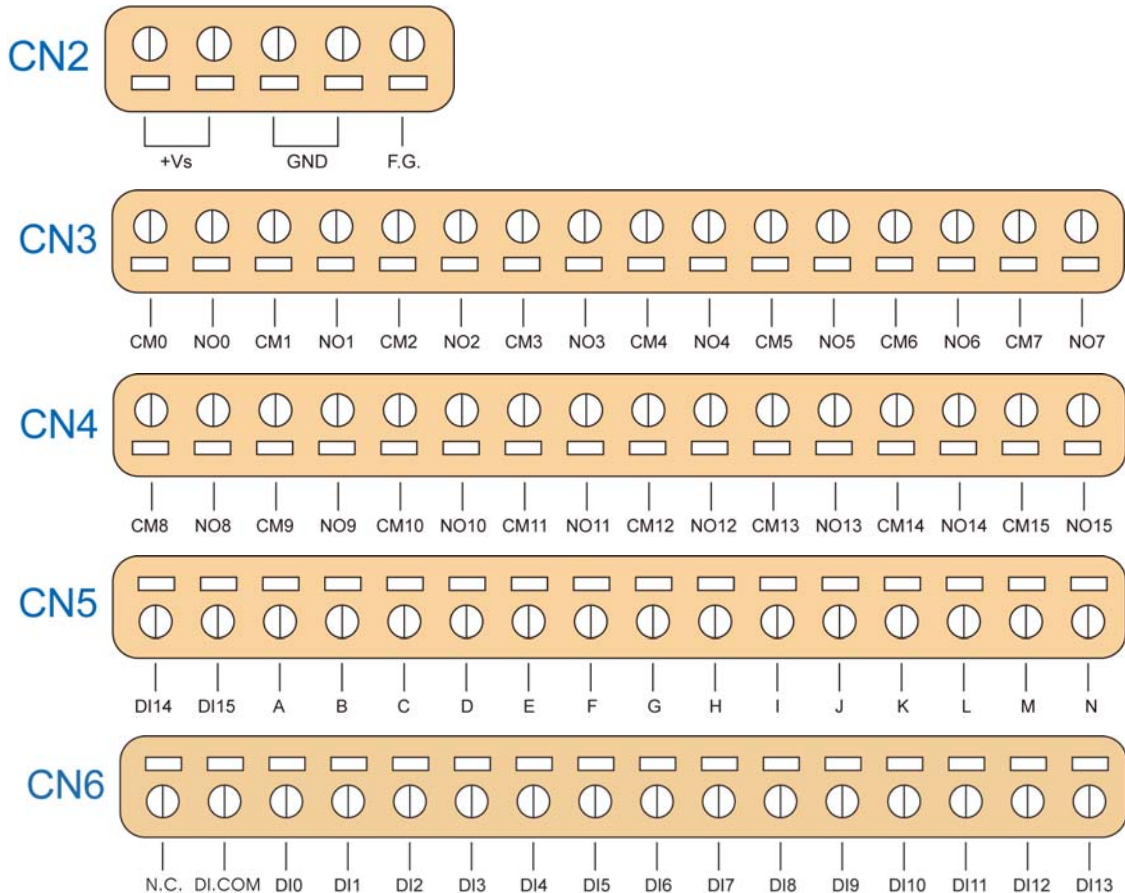
5

Pin Assignments

- CN1: 37-pin D-sub connector for I-8042W and I-87042W.



- Connectors CN2~CN6.



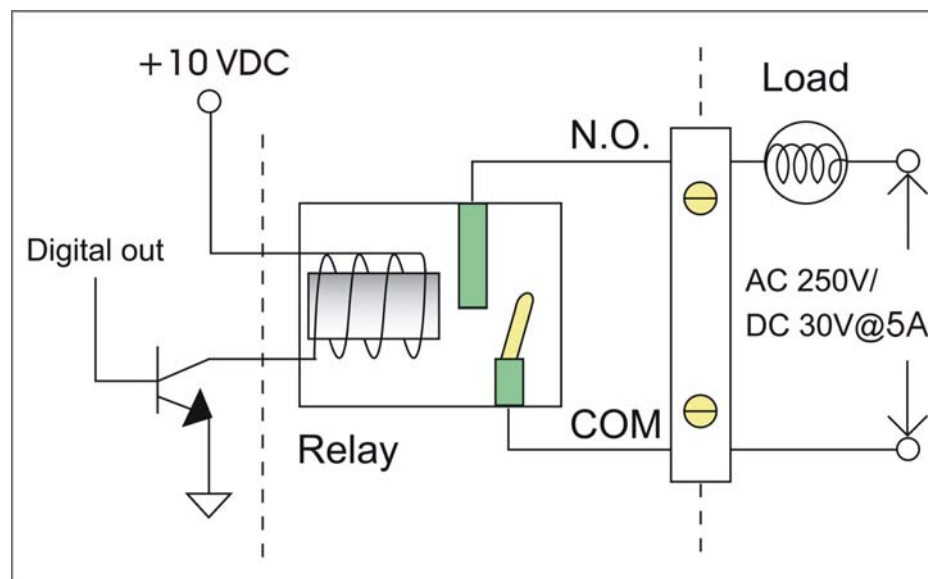
6

Relays and LEDs Mapping

Relay Output	LEDs
CH_0	LED1
CH_1	LED2
CH_2	LED3
CH_3	LED4
CH_4	LED5
CH_5	LED6
CH_6	LED7
CH_7	LED8
CH_8	LED9
CH_9	LED10
CH_10	LED11
CH_11	LED12
CH_12	LED13
CH_13	LED14
CH_14	LED15
CH_15	LED16

7

Circuit Diagram



Related Information

- **DN-8K16P16R product page:**
http://www.icpdas.com/products/DAQ/screw_terminal/dn_8k16p16r.htm
- **Documentation:**
CD:\NAPDOS\Daughter_Board\
http://ftp.icpdas.com/pub/cd/iocard/pci/napdos/daughter_board/



ICP DAS Web Site: <http://www.icpdas.com.tw/>
Contact Us (E-Mail): service@icpdas.com, service.icpdas@gmail.com

DAUGHTER BOARD USER GUIDE

for DN-8K16P16R

繁體中文 / 2012 年 1 月 / 版本 1.0



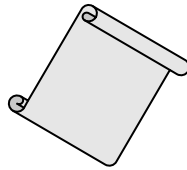
1

檢查配件

- 一張 DN-8K16P16R 端子板
- 一張 使用者指南 (本文件)
- 一條 CA-3710D Cable



DB-8K16P16R



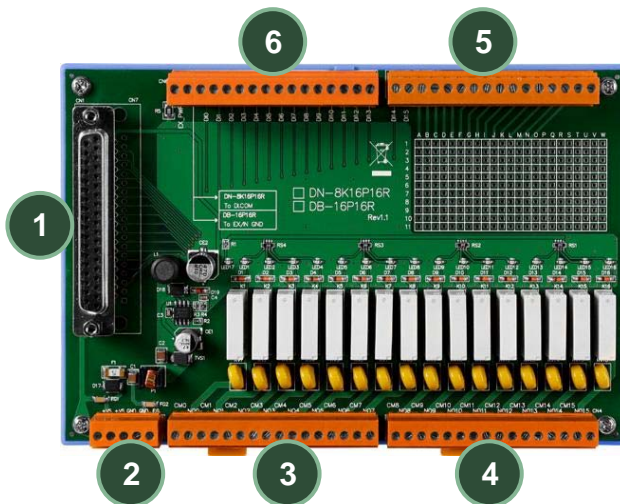
使用者指南



CA-3710D

2

端子板配置圖



1 CN1: 連接 I-8042W/I-87042W

2 CN2: 電源輸入 + 12 ~ 30 VDC

3 CN3: CH0 ~ CH7 Relay 輸出

4 CN4: CH8 ~ CH15 Relay 輸出

5 CN5: CH14 ~ CH15 DI 輸入

6 CN6: CH0 ~ CH13 DI 輸入

3 特色

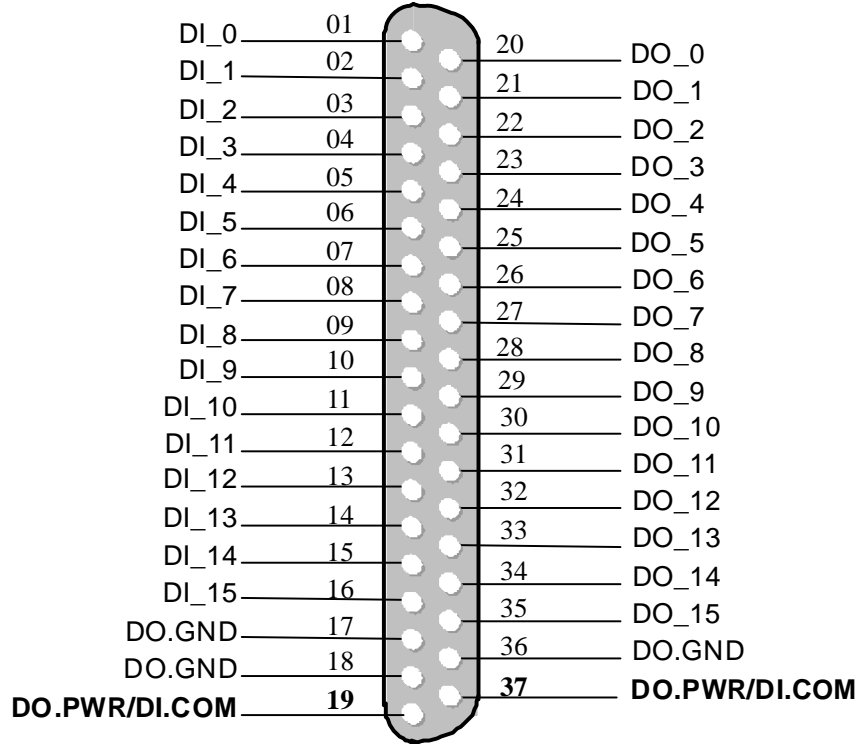
- 16 通道 Form A Relay 端子板
- 提供 37-pin D-sub 接頭適用於 I-8042W 及 I-87042W
- 16 LED 燈顯示各 Relay 狀態
- 便利於接線的端子板
- 電源輸入: +12 ~ +30 V_{DC}
- 可運作於 -25 ~ +75°C 的工作環境
- 可安裝於工業用的 DIN 導軌

4 規格

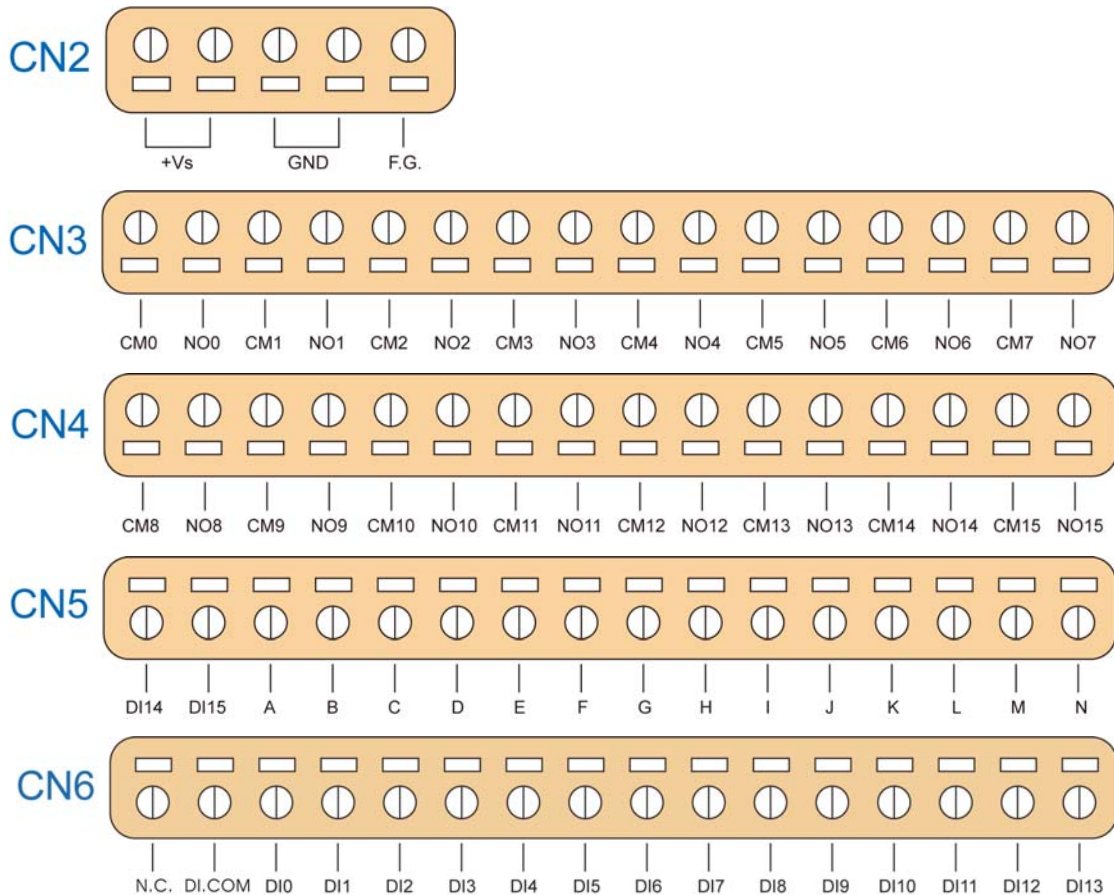
Digital Input	
Channels	16
Type	Pin-to-pin terminals
Input Range	Depending on I-8042W/I-87042W used
Relay Output	
Channels	16
Contact Arrangement	SPST-NO (1 Form A)
Max. Switching Voltage	125 V _{DC} , 270 V _{AC} Rated
Contact Current	3 A
Max. Contact Current	5 A
Max. Contact Capacity	1250 VA, 150 W
Operate Time (typical)	6 ms
Release Time (typical)	3 ms
Electrical Life (Resistive Load)	250 V _{AC} /30 V _{DC} , 3 A 100,000 ops. Min. (10 ops./minute) 250 V _{AC} /30 V _{DC} , 5 A 6,000 ops. Min. (10 ops./minute)
Mechanical Life	20,000,000 ops. at no load. (300 ops./minute)
Mechanical	
Dimensions	118 mm x 174 mm
Installation	DIN-Rail mounting
Environment	
Operating Temperature	-25 ~ +75°C
Storage Temperature	-30 ~ +80°C
Humidity	10% ~ 90%, non-condensing
Power Requirements	
Power Input	+12 ~ 30 V _{DC}
Power Consumption	30 V _{DC} @ 0.125 A = 3.75 W

5 腳位定義

- CN1: 連接 I-8042W 及 I-87042W 的 37-pin D-sub 接頭。



- CN2~CN6 接頭。



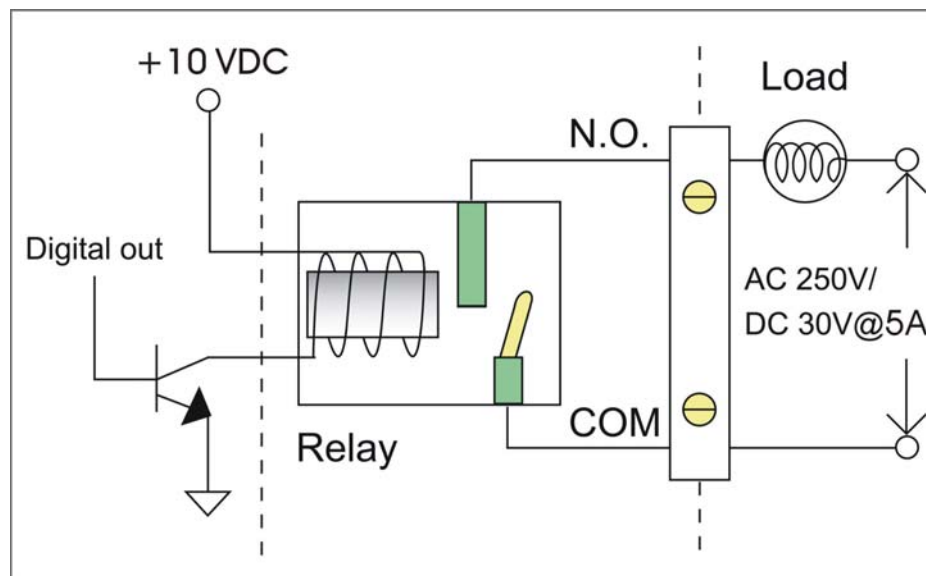
6

Relay 的 LEDs Mapping

Relay Output	LEDs
CH_0	LED1
CH_1	LED2
CH_2	LED3
CH_3	LED4
CH_4	LED5
CH_5	LED6
CH_6	LED7
CH_7	LED8
CH_8	LED9
CH_9	LED10
CH_10	LED11
CH_11	LED12
CH_12	LED13
CH_13	LED14
CH_14	LED15
CH_15	LED16

7

電路圖



參考資訊

- DN-8K16P16R 產品網頁:
http://www.icpdas.com/products/DAQ/screw_terminal/dn_8k16p16r.htm
- 相關文件位置:
CD:\NAPDOS\Daughter_Board\
http://ftp.icpdas.com/pub/cd/iocard/pci/napdos/daughter_board/



泓格科技網頁: <http://www.icpdas.com.tw/>
聯絡方式 (E-Mail): service@icpdas.com, service.icpdas@gmail.com