



I-8056W-G

16-channel Non-isolated Open Collector Output Module

Features

- 16-channel Non-isolated Output
- Sink-type Digital Output Channels
- 4 kV ESD Protection
- Wide Operating Temperature Range: -25 ~ +75 °C



Introduction

The I-8056W module offers 16 Non-isolated Digital Output channels. The I-8056W supports sink-type Digital Output. The I-8056W includes 16 LED indicators that can be used to monitor the status of the Digital Output channels. 4 kV ESD protection is provided for the Digital Output channels as standard.

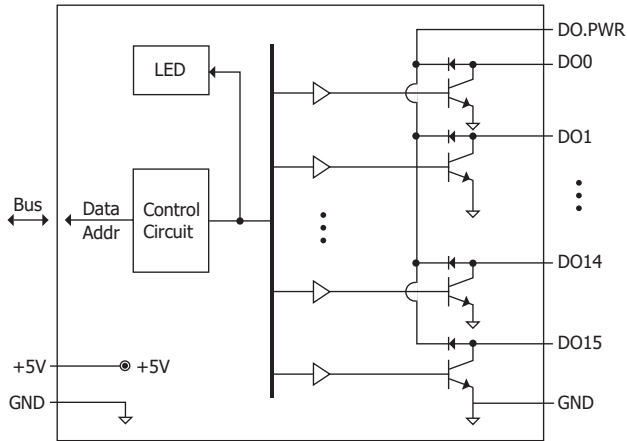
System Specifications

| LED Indicators/Display | |
|--|--------------------------------------|
| System LED Indicators | 1 LED as Power Indicator |
| I/O LED Indicators | 16 LEDs as Digital Output Indicators |
| Isolation | |
| Intra-module Isolation, Field-to-Logic | - |
| EMS Protection | |
| ESD (IEC 61000-4-2) | ±4 kV Contact for each Terminal |
| Power | |
| Power Consumption | 0.9 W max. |
| Mechanical | |
| Dimensions (W x L x H) | 30 mm x 102 mm x 115 mm |
| Environment | |
| Operating Temperature | -25 ~ +75 °C |
| Storage Temperature | -40 ~ +85 °C |
| Humidity | 10 ~ 90% RH, Non-condensing |

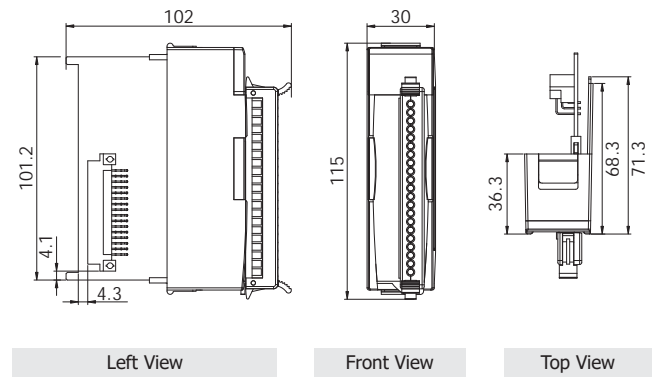
I/O Specifications

| Digital Output | |
|-----------------------|-----------------------------|
| Channels | 16 (Sink) |
| Type | Non-isolated Open Collector |
| Sink/Source (NPN/PNP) | Sink |
| Load Voltage | +5 ~ +30 VDC |
| Max. Load Current | 100 mA/channel |

Internal I/O Structure



Dimensions (Units: mm)



Wire Connections

| Input Type | ON State LED ON Readback as 1 | OFF State LED OFF Readback as 0 |
|-----------------|----------------------------------|------------------------------------|
| Drive Relay | Relay ON | Relay OFF |
| | | |
| Resistance Load | | |
| | | |

Pin Assignments

| Terminal No. | Pin Assignment |
|--------------|----------------|
| 01 | DO0 |
| 02 | DO1 |
| 03 | DO2 |
| 04 | DO3 |
| 05 | DO4 |
| 06 | DO5 |
| 07 | DO6 |
| 08 | DO7 |
| 09 | DO8 |
| 10 | DO9 |
| 11 | DO10 |
| 12 | DO11 |
| 13 | DO12 |
| 14 | DO13 |
| 15 | DO14 |
| 16 | DO15 |
| 17 | DO.GND |
| 18 | DO.GND |
| 19 | DO.PWR |
| 20 | DO.PWR |

Ordering Information

| | |
|---------------------|--|
| I-8056W-G CR | 16-channel Non-isolated Open Collector Output Module (Gray Cover) (RoHS) |
|---------------------|--|