



## I-8050

16-ch Universal Digital I/O Module

## I-8050-G

### Features

- 16-channel Universal Digital Input / Digital Output
- Photocouple-isolation protection
- $\pm 4$  kV ESD Protection
- 3750 Vdc Intra-module Isolation



### Introduction

I-8050 is a 16-channel Universal Digital I/O module. Each channel can be configured to be a Digital Input or Digital Output by programming. Each of which features Photocouple-isolation. I-8050 supports Sink Type Output with short-circuits protection. There are option for power on value and safe value for your consideration. All channels have  $\pm 4$  kV ESD protection and 3750 VDC intramodule isolation are standard.

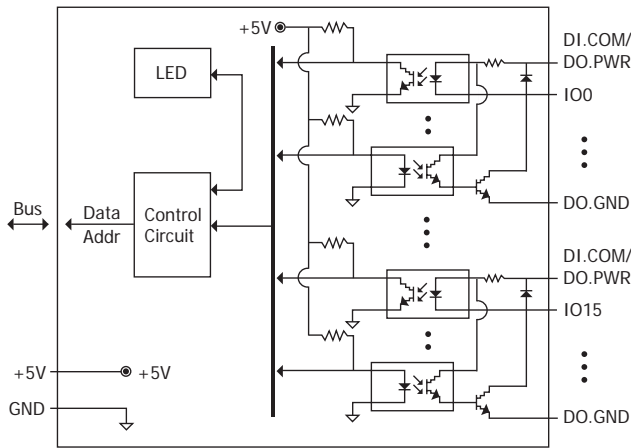
### System Specifications

LED Indicators/Display	
System LED Indictors	1 LED as Power Indicator
I/O LED Indicator	16 LEDs as Digital Input / Output Indicators
Isolation	
Intra-module Isolation, Field-to-Logic	3750 Vdc
EMS Protection	
ESD (IEC 61000-4-2)	$\pm 4$ kV Contact for Each Terminal
Power	
Power Consumption	1 W max.
Mechanical	
Dimensions (W x L x H)	31 mm x 116 mm x 88 mm
Environment	
Operating Temperature	-25 ~ +75 °C
Storage Temperature	-40 ~ +85 °C
Humidity	10 ~ 90% RH, Non-condensing

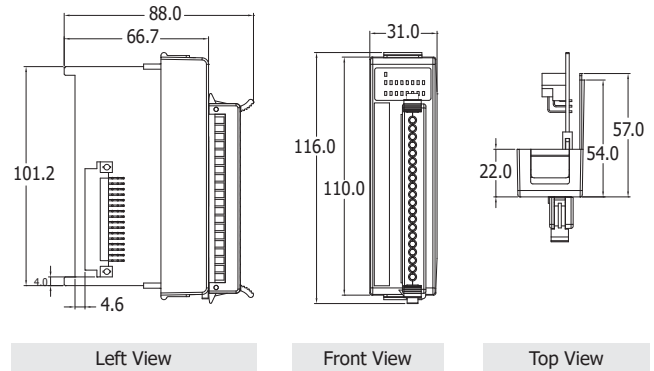
### I/O Specifications

Digital Input	
Channels	One Common for All 16-channel
Type	Wet Contact
Sink/Source	Sink
ON Voltage Level	+3.5 ~ +30 VDC
OFF Voltage Level	+1 VDC max.
Input Impedance	3 k $\Omega$ , 0.25W
Digital Output	
Channels	One Common for All 16-channel
Type	Isolated Open Collector
Sink/Source	Sink
Load Voltage	+5 ~ +30 VDC
Max. Load Current	100 mA/Channel

## Internal I/O Structure



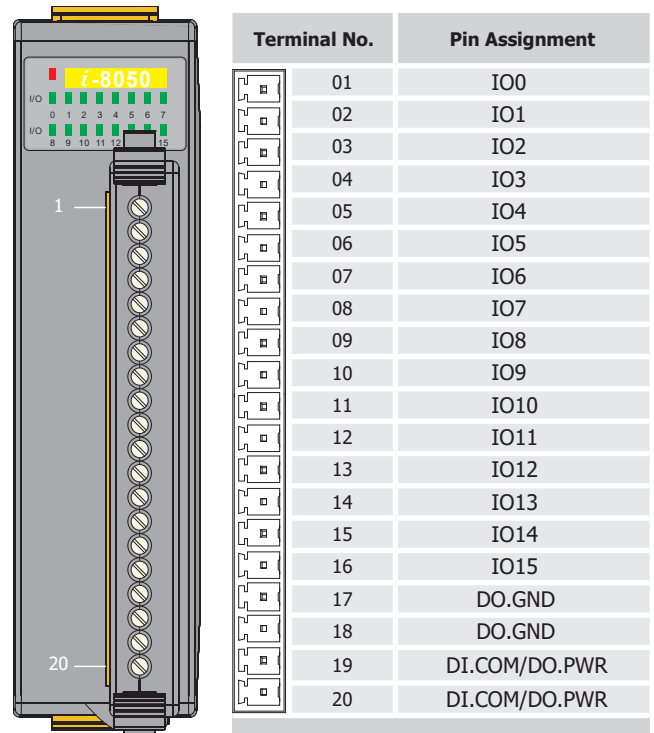
## Dimensions (Units: mm)



## Wire Connections

Input Type	ON State LED ON Readback as 0	OFF State LED OFF Readback as 1
Relay Contact	Relay ON	Relay OFF
TTL/ CMOS Logic	Voltage > 10V	Voltage < 4V
NPN Output	Open Collector ON	Open Collector OFF
PNP Output	Open Collector ON	Open Collector OFF
Output Type	ON State LED ON Readback as 1	OFF State LED OFF Readback as 0
Drive Relay	Relay ON	Relay OFF
Resistance Load		

## Pin Assignments



## Ordering Information

<b>I-8050 CR</b>	16-ch Universal Digital I/O Module (Blue Cover) (RoHS)
<b>I-8050-G CR</b>	16-ch Universal Digital I/O Module (Gray Cover) (RoHS)