



Features

- Powerful MCU handles efficient network traffic
- 2 x RJ-45 bus interface
- Integrate RS-232/422/485 serial device to EtherCAT
- Allows system integrators to retro-fit older automation devices into modern EtherCAT communication structures
- Requires no hardware or software changes to be made to the connected device
- Compatible with all PLCs with EtherCAT support
- Performs complete serial protocol conversion, no PLC function blocks required
- Supports maximum 256 WORD Input and 256 WORD Output Data
- Supports maximum Baud Rate 115200 bps
- RoHS compliant



Introduction

Integrate your serial RS-232/422/485 based industrial devices and equipment to an EtherCAT control system without the need for any changes to the device. Just connect, configure and it's finished.

The ECAT-2610 Communicator is a proven and trusted protocol converter gateway that connects non-networked industrial devices and equipment to EtherCAT. The gateway performs an intelligent protocol conversion and presents the serial data to the Master PLC/Controller as easily processed I/O data.

* EtherCAT® is registered trademark and patented technology, licensed by Beckhoff Automation GmbH, Germany.

Hardware Specifications

Protocol	
EtherCAT	
Communication Interface	
RJ-45 Port	RJ-45 x 1 Distance between Stations: Max. 100 m (100BASE-TX) Data Transfer Medium: Ethernet/EtherCAT Cable (Min. CAT 5e)
Serial Interface	RS-232
	RS-422
	RS-485
The RS-232, RS-422 and RS-485 cannot be used simultaneously	
<ul style="list-style-type: none"> ▶ TxD, RxD, GND ▶ TxD+, TxD-, RxD+, RxD- ▶ Data+, Data- 	
Power	
Input Voltage Range	+12 ~ +48 VDC
Power Consumption	0.1 A @ 24 VDC
Protection	Power reverse polarity protection
Connector	3-Pin Removable Terminal Block (5.08 mm)
Mechanical	
Dimensions (H x W x D)	110 mm x 90 mm x 33 mm
Installation	DIN-Rail Mounting
Environment	
Operating Temperature	-25 ~ +75°C
Storage Temperature	-30 ~ +80°C
Relative Humidity	10 ~ 90% RH, Non-condensing

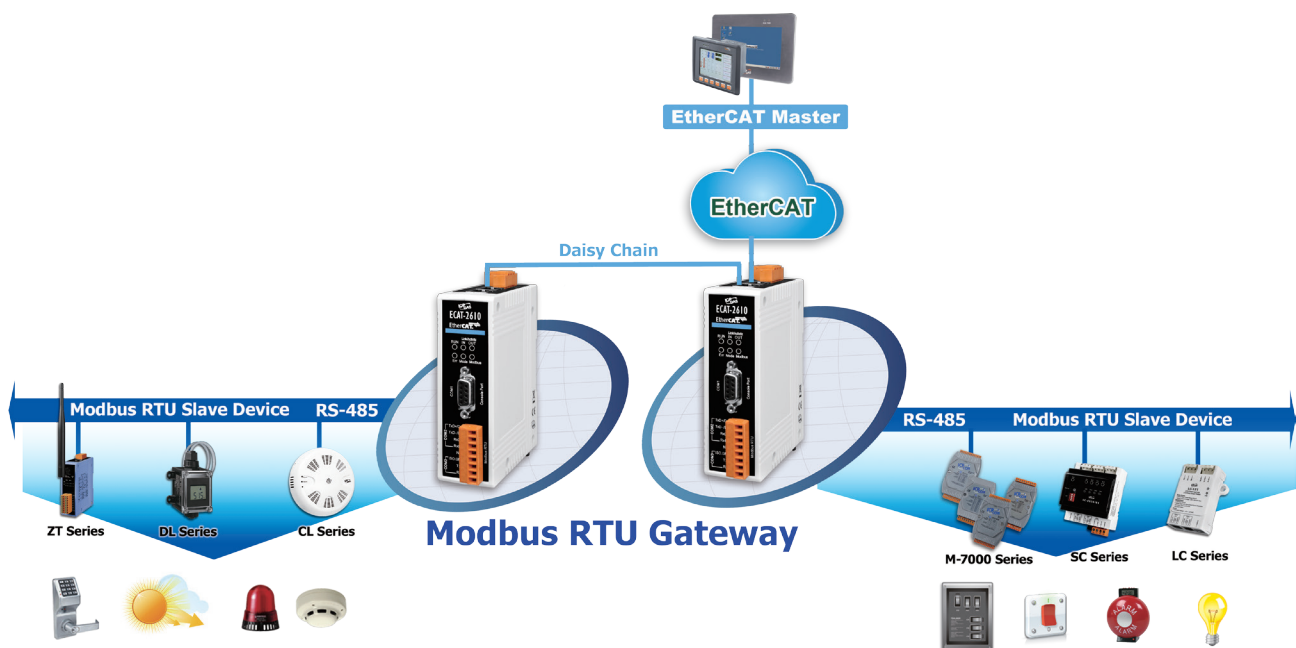
Pin Assignments

COM1 (Console Port)				
Pin Assignment	Terminal No.	Terminal	Terminal No.	Pin Assignment
--	01		06	--
RxD	02		07	--
TxD	03		08	--
--	04		09	--
GND	05			

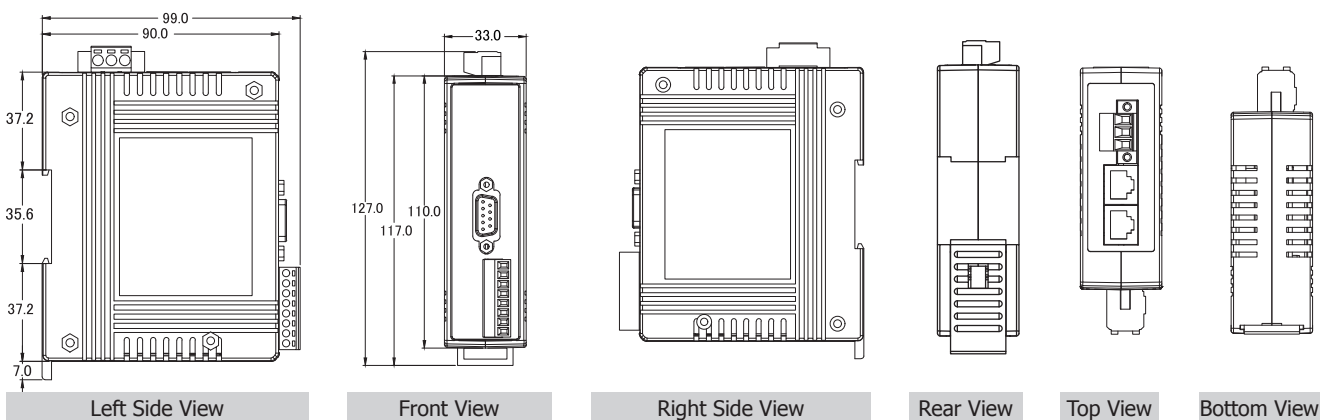
COM2/COM3 (Modbus RTU)		
Terminal No.	Terminal	Pin Assignment
COM2		TxD+/D+
		TxD-/D-
		RxD+
		RxD-
COM3		N/A
		ISO.GND
		TxD
		RxD

EtherCAT Interface	
Terminal No.	Pin Assignment
	F.G.
	GND(-)
	PWR(+)
	IN
	OUT

Applications



Dimensions (Units: mm)



Ordering Information

ECAT-2610 CR	EtherCAT to Modbus RTU Gateway (RoHS)
---------------------	---------------------------------------