

iNS-308

User Manual

Ver. 1.0.0, Dec. 2022



WARRANTY

All products manufactured by ICP DAS are warranted against defective materials for a period of one year from the date of delivery to the original purchaser.

WARNING

ICP DAS assumes no liability for damages consequent to the use of this product. ICP DAS reserves the right to change this manual at any time without notice. The information furnished by ICP DAS is believed to be accurate and reliable. However, no responsibility is assumed by ICP DAS for its use, nor for any infringements of patents or other rights of third parties resulting from its use.

COPYRIGHT

Copyright © 2021 by ICP DAS. All rights are reserved.

TRADEMARK

Names are used for identification only and may be registered trademarks of their respective companies.

CONTACT Us

If you have any questions, please feel free to contact us via email at:

service@icpdas.com



SUPPORT

iNS-308

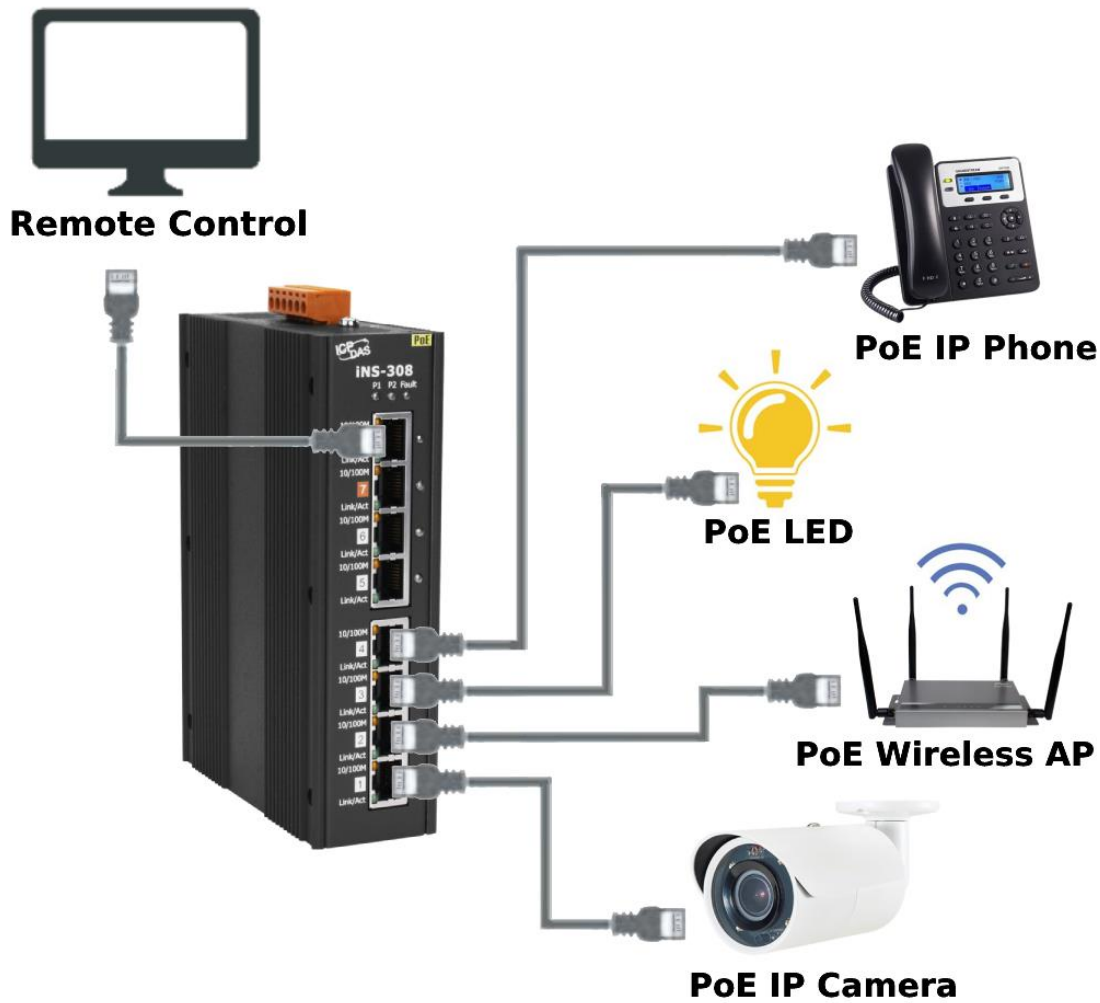
Table Of Contents

1.	Introduction.....	3
1.1	Packing List	4
1.2	Features	5
2.	Hardware Information.....	8
2.1	Appearance.....	8
2.2	Specification	10
2.3	Ethernet and PoE Pin Out	11
2.4	Dimensions	11
3.	Getting Started.....	12
3.1	Connecting the Power and the Host PC.....	12
3.2	Configuring the Network Settings.....	13
4.	Web Configuration	16
4.1	Home	16
4.2	Schedule	18
4.3	Network	19
4.4	SNMP	25
4.5	Filter.....	26
4.6	Changing Password	27
4.7	Logout.....	28
5.	PoE function configure	29
5.1	RTC.....	29
5.2	Power Schedule	29
5.3	PoE Power Limit	31
6.	Advanced Ethernet configure	32
6.1	Loop Detect	32
6.2	Broadcast storm filter	32
7.	Modbus Information	33
7.1	What is Modbus TCP/IP?	33
7.2	Modbus Message Structure.....	34
7.2.1	01(0x01) Read the Status of the Coils (Read DO Readback vaslues).....	36
7.2.2	02(0x02) Read the Status of the Input (Read DI values)	37
7.2.3	03(0x03) Read the Holding Registers (Read AO Readback values).....	38
7.2.4	04(0x04) Read the Input Registers (Read AI values)	39
7.2.5	05(0x05) Force a Single Coil (Write DO value)	40
7.2.6	06(0x06) Set a Single Register (Write AO value)	41
7.2.7	15(0x0F) Force Multiple Coils (Write DO values)	42
7.2.8	16(0x10) Set Multiple Registers (Write AO values)	43
7.3	Modbus Register Table	44
	Revision History.....	46

1. Introduction

The iNS-308 is a 8-port 10/100Base-TX IoT switch with easy-to-use web interface. It offers 2 Ethernet ports with LAN Bypass feature, and 8 PoE ports for connecting Power over Ethernet (PoE) devices such as wireless access points (APs), IP cameras, and IP phones to the network. In compliance with the IEEE 802.3at standard, each PoE port ensures the PSE function and provides up to 30W for powered devices

The iNS-308 web interface enables you to remotely log into the iNS-308 for configuration and maintenance. You can configure the iNS-308 turn off/on or reset the power of the POE Ethernet port, and set power schedule from your browser.



1.1 Packing List

The shipping package includes the following items:



iNS-308



Quick Start x 1

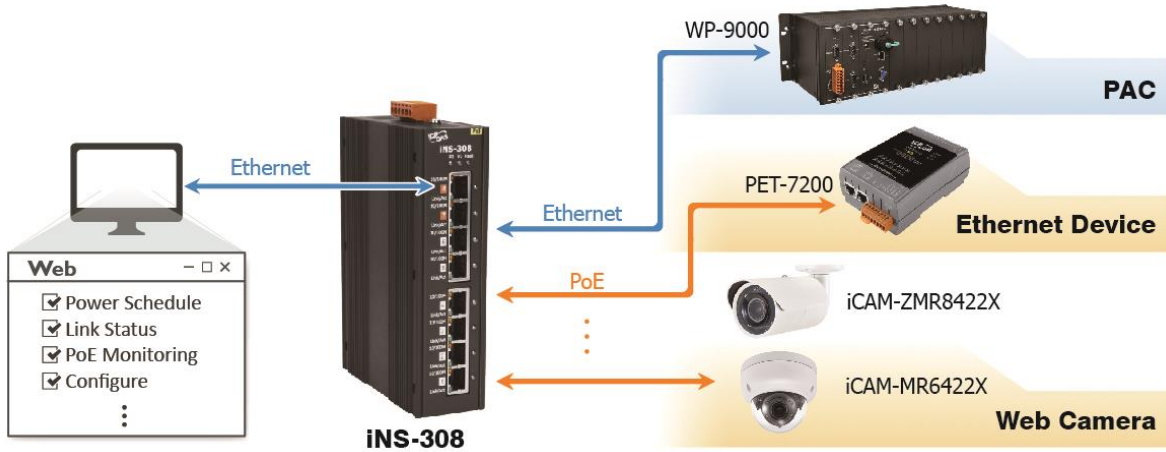
Note

If any of these items are missing or damaged, please contact the local distributor for more information. Save the shipping materials and cartons in case you need to ship the module in the future.

1.2 Features

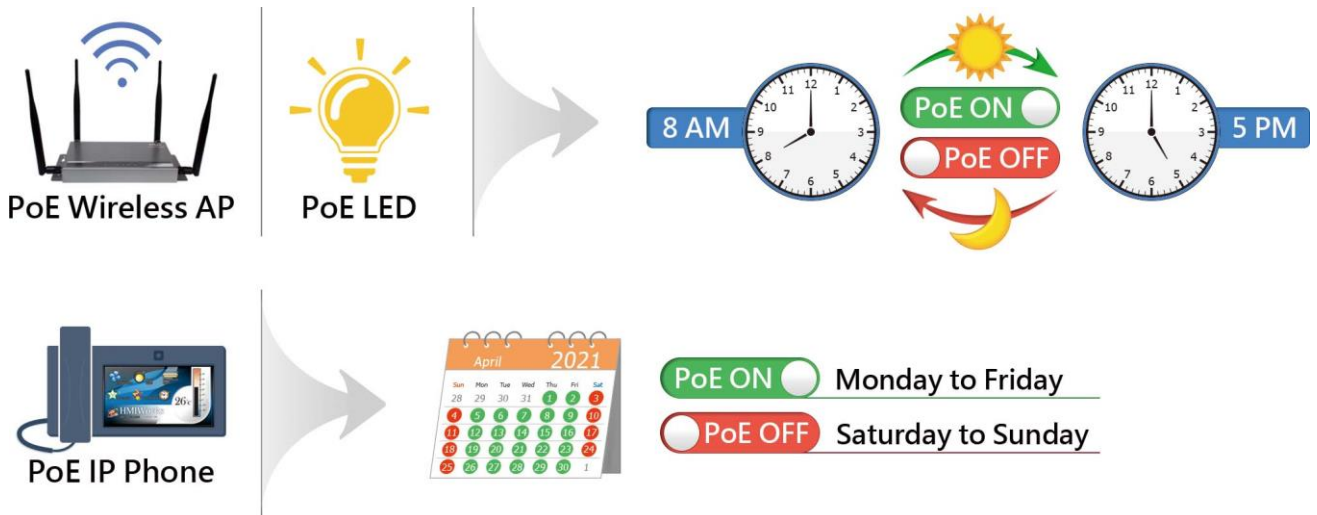
1. Built-in Web Server

The iNS-308 has a built-in web server that allows users to easily configure, monitor and control the module from a remote location using a web browser.



2. Power On/Off Schedule

An individual power on/off schedule is provided for each PoE port of the iNS-308. Auto turning off and turning on the devices at selected times can save manpower, time costs, and power when the devices are not in used.



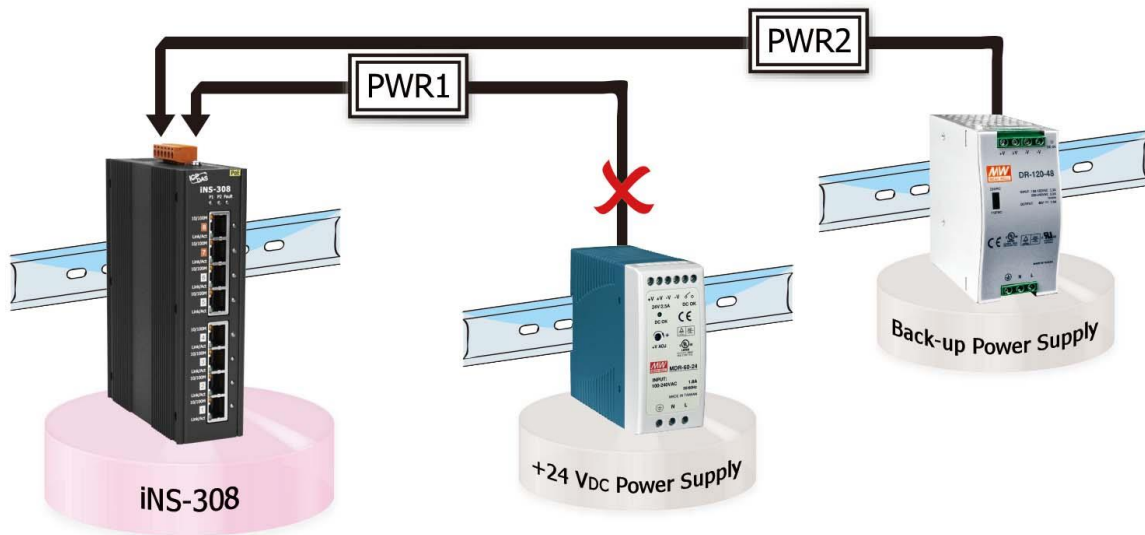
3. Power Reset Schedule

The PoE powered devices may become slow or inoperable if they are left on for too long. A simple reset can help you to solve most problems most of the time. The iNS-308 offers an individual power reset schedule for each PoE port, you can configure the schedule through a web browser to reset your devices regularly and keep them working in good condition.



4. Dual Redundant Power Input

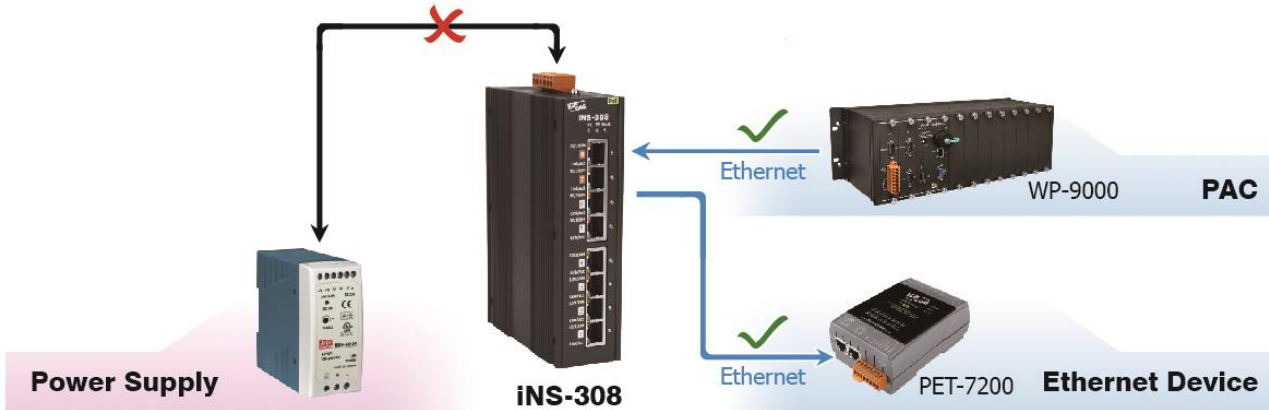
The iNS-308 has dual redundant power inputs to ensure reliability. If the main power system fails, the switch can be powered by an UPS or backup power to prevent network disruptions and close the alarm Relay. If the iNS-308 module will be used on high load conditions (total PoE power load exceeds 60w), it is recommended to configure dual power supplies.



5. LAN Bypass

LAN Bypass function can guarantee the Ethernet communication. It will automatically activate to ensure the continued flow of important network traffic when the iNS-308 loses its power.

(iNS-308 LAN Bypass Function works on Port7 & 8)



6. PoE Power monitoring and management

The iNS-308 web server interface supports remote monitoring of the voltage, current and class on each Ethernet Port. In addition to class over loading protection, it also provides user-defined PoE power output limit, so that if the PD device is damaged or short-circuited, the power will be cut off PoE in time to protect other devices.

7. Advanced Ethernet configure

iNS-308 supports Jumbo frame, broadcast storm filter and auto-negotiation function can be configured for different applications.

8. Modbus Protocol

The Modbus TCP slave function on the Ethernet Port can be used to provide data to remote SCADA software.

9. SNMP_v2c Supports

iNS-308 Provide basic MIB (link status & PoE Power control) reading and trap,

10. Highly Reliable Under Harsh Environment

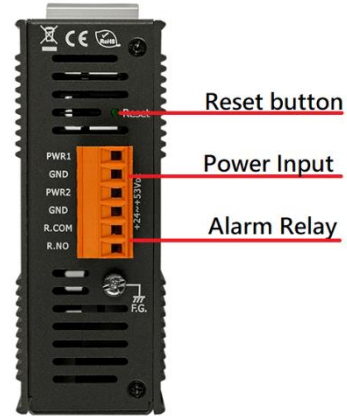
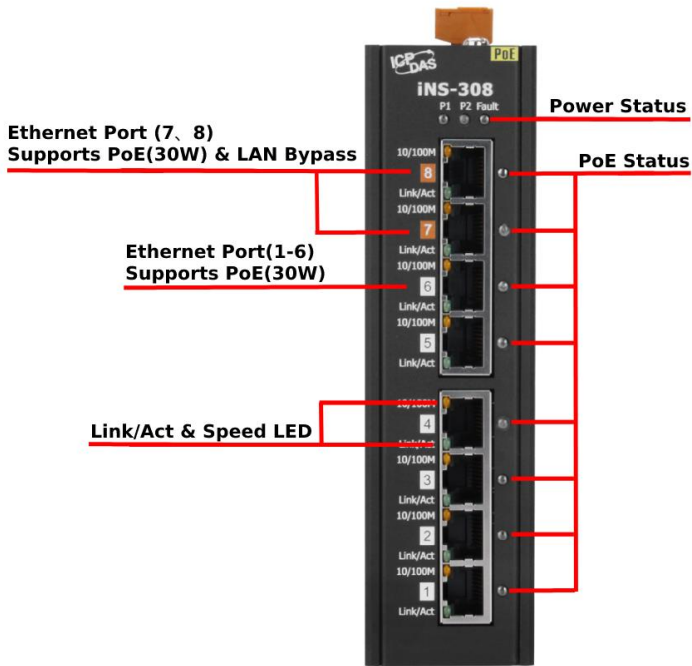
- Wide Operating Temperature Range: -25 ~ +75°C
- Storage Temperature: -40 ~ +85°C
- Humidity: 10 ~ 90% RH (Non-condensing)

2. Hardware Information

2.1 Appearance

Front View

Top View



1. Power LED indicator

LED indicator	Color	status	Description
P1	Green	On	Power is being supplied to power input PWR1.
		Off	Power is not being supplied to power input PWR1
P2	Green	On	Power is being supplied to power input PWR2.
		Off	Power is not being supplied to power input PWR2
Fault	Green	On	PWR1 or PWR2 power supplied is fault
		Off	Power supplied is normal

2. Ethernet Link status LED Indicator

The iNS-308 supply 8 x 10/100Mbps PoE ports. Each port can provide up to 30 W of power (compliant with IEEE 802.3at standard). They can be used to connect and supply power to any PoE-enabled devices such as wireless access points, network cameras, IP phones, as well as to connect Ethernet-enabled devices like computers and printers.

LED Indicator	Color	Stats	Description
Link/Act & speed	Green	On	Link/Act.
		Off	Not Networking
	Orange	On	Link to 100 Mbps.
		Off	Link to 10 Mbps.

3. PoE Status Indicator

iNS-308 has 8 Port 10/100Mbps PoE Port independent PoE status LED for per port, when PoE detect the PD device LED will turn on.

LED Indicator	Color	Stats	Description
PoE	Amber	On	PD Device is detect.

4. Reset button

long press button and restart Power, iNS-308 will running form default IP.

5. +24 ~ +57 VDC redundant power Input

The iNS-308 supports +24 to +57 VDC wide power input range and dual redundant power input to ensure stable operation in harsh environments. Once the power is supplied, the corresponding LED indicator lights up.

Each PoE port can provide up to 30 W of power. If the iNS-308 is utilized under high load (total PoE load exceeds 60 W), it is recommended to configure dual power supplies.

2.2 Specification

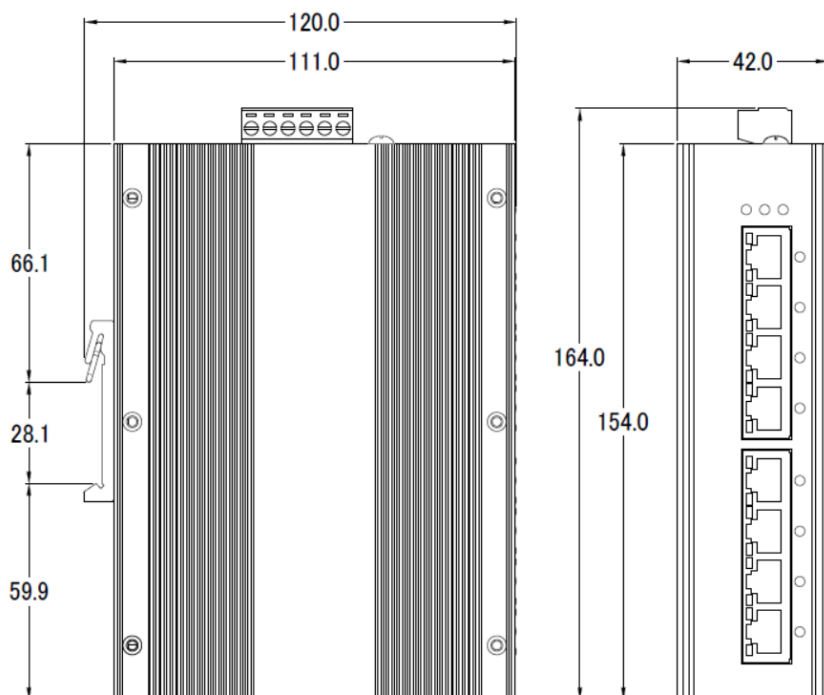
Model	iNS-308
PoE Technology	
PoE Compliance	100% IEEE 802.3at compliant
PoE Power	Up to 30 watts per port
PoE Pin Assignments	V+ (pin 1, 2), V-(pin 3, 6) , alternative A
PoE Voltage	+53 VDC
Ethernet	
Ports	8 x RJ-45, 10/100Base-TX
Standards	IEEE 802.3 for 10 Base-T IEEE 802.3u for 100 Base-TX IEEE 802.3x for Flow Control, Back Pressure Flow Control IEEE 802.3af Power Over Ethernet IEEE 802.3at Power Over Ethernet Energy Efficient Ethernet (EEE) as per 802.3az; this provides power savings during idle network activity
Processing Type	Store & forward
MAC Addresses	16K
Frame Buffer Memory	4Mbit
Isolation	1500 Vrms 1 minute
LED Indicators	
Status	PWR1, PWR2, Fault, POE, Link/Act, Speed
Power	
Reverse Polarity Protection	Yes
Input Range	24 ~ 57 VDC Redundant dual Input
Redundant Power Inputs	Yes
Consumption	0.22 A @ 24 VDC without PD loading, 10A @ 24VDC with PD full loading (30W per ports) 0.10 A @ 53 VDC without PD loading, 5A @ 48VDC with PD full loading (30W per ports)
Mechanical	
Casing	Metal
Dimensions (mm)	DIN-rail mounting: 42 x 164 x120 mm
Installation	DIN-rail mounting or wall mounting (optional)
Environmental	
Operating Temperature	-25 °C ~ +75 °C
Storage Temperature	-40 °C ~ +85 °C
Humidity	10% ~ 90% RH, non-condensing

2.3 Ethernet and PoE Pin Out

The pinout follows the Alternative A of IEEE 802.3af/802.3at standards. Please see the details in the following table

Pin No	Ethernet	PoE
1	Tx+	V+
2	Tx-	V+
3	Rx+	V-
4	--	--
5	--	--
6	Rx-	V-
7	--	--
8	--	--

2.4 Dimensions



(unit = mm)

3. Getting Started

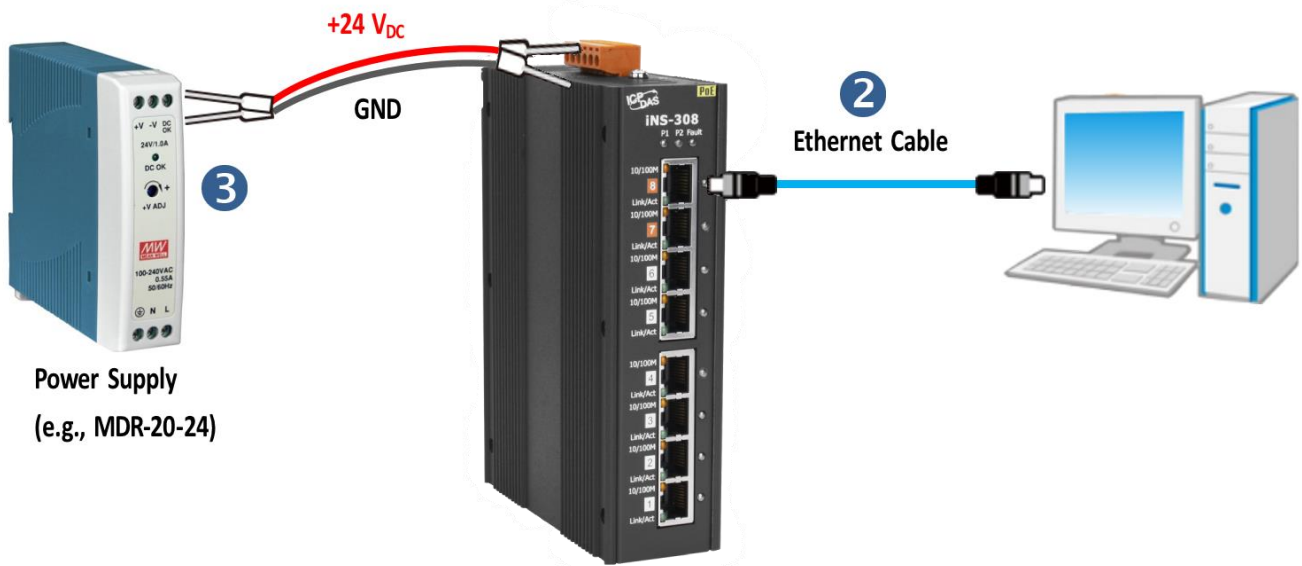
This chapter provides a basic overview of how to configure and operate the iNS-300 series module.

3.1 Connecting the Power and the Host PC

Step 1: Connect both the iNS-300 series module and the Host PC to the same sub network.

Ensure that the network settings on the Host PC have been correctly configured and are functioning normally. Ensure that the Windows firewall or any Anti-Virus firewall is properly configured to allow incoming connections, or temporarily disable these functions, otherwise the “Search Servers” function in the eSearch Utility described in [Section 3.3 “Configuring the Network Settings”](#) may not perform as expected. Contact the System Administrator for instructions of how to do this.

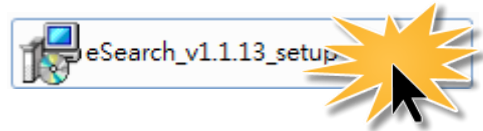
Step 2: Apply power (+24 ~ +57 V_{DC}) to the iNS-308.



3.2 Configuring the Network Settings

Step 1: Get the eSearch Utility

The eSearch Utility can be obtained from the ICP DAS Web site at:



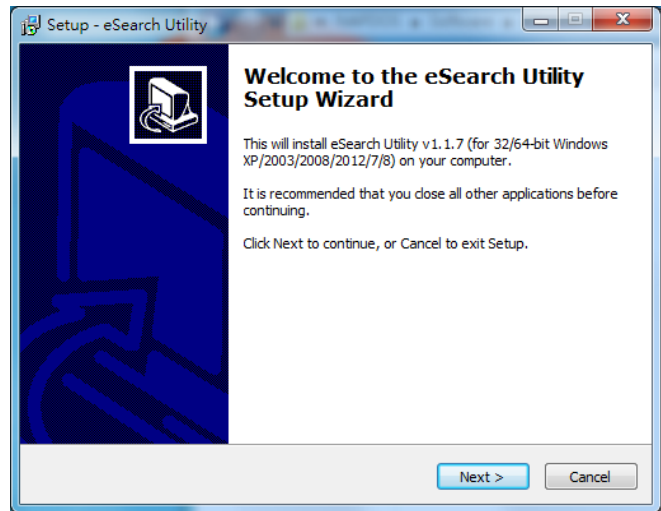
https://www.icpdas.com/en/product/guide+Software+Utility_Driver+eSearch_Utility

Step 2: Install the eSearch Utility

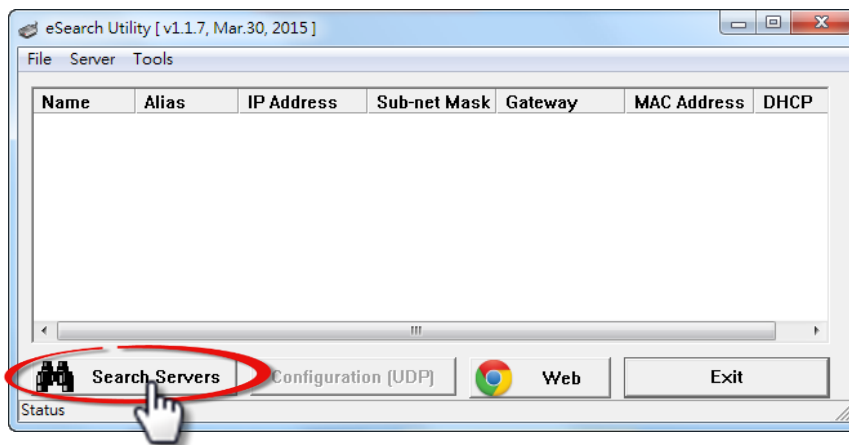
Follow the instructions in the eSearch setup wizard to complete the installation.



After the installation has been completed, a new short cut for the eSearch Utility will be displayed on your desktop



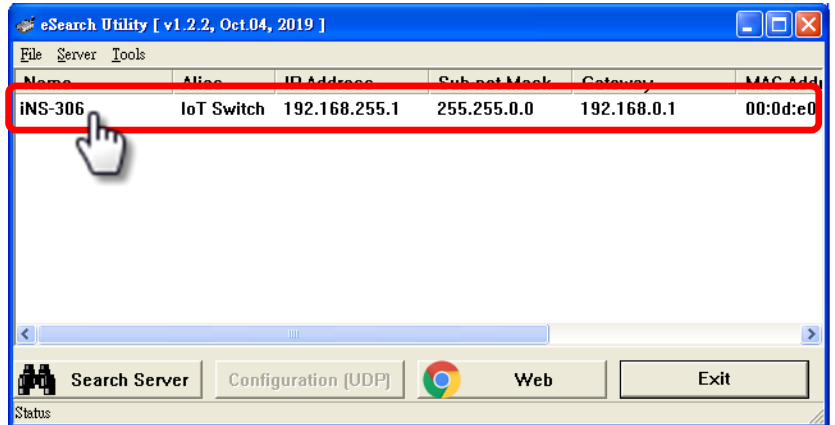
Step 3: Click "Search Servers" to search for the iNS-300 series module on the network



Step 4: Double-click your module name to open the configuration dialog box

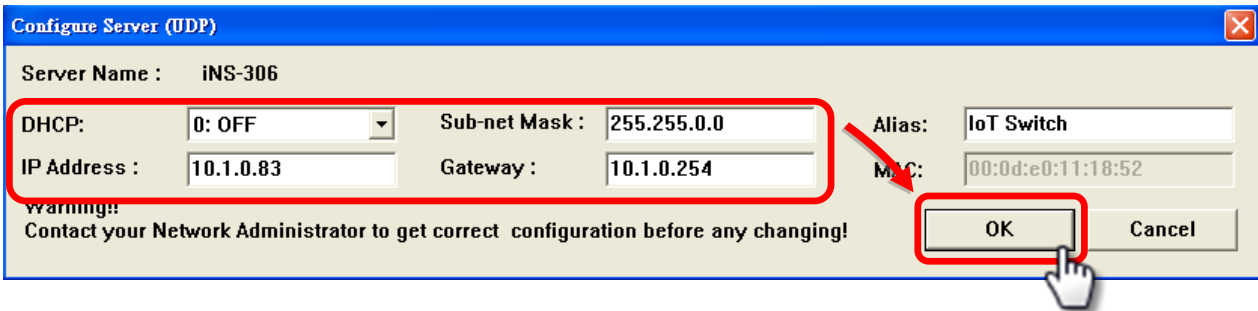
Factory Default Settings

IP	192.168.255.1
Gateway	192.168.0.1
Mask	255.255.0.0

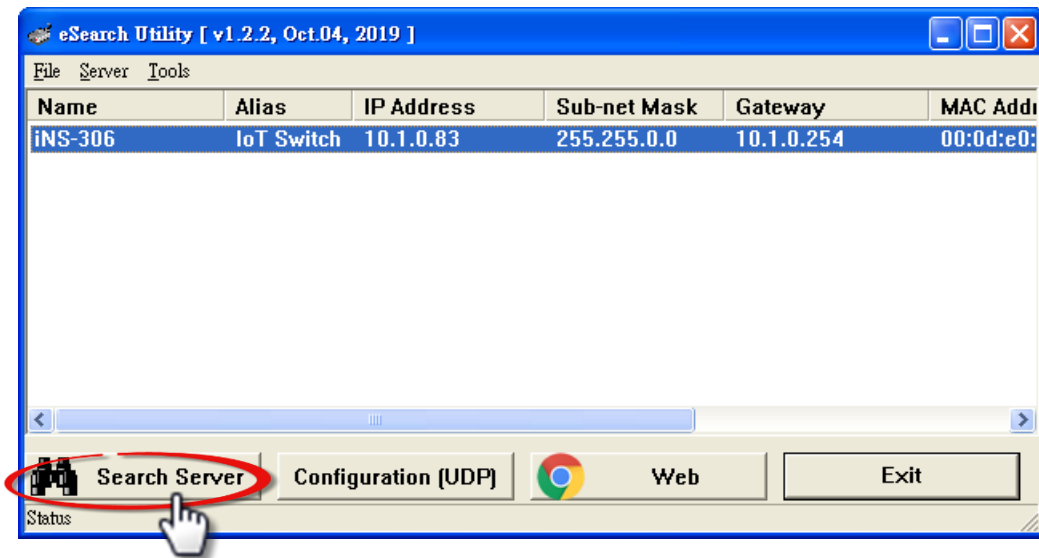


Step 5: Assign new network settings and then click the “OK” button

Enter the relevant values for the IP Address, Subnet Mask, Gateway, etc., and then click the “OK” button. The new settings will take effect within 2 seconds.
(Contact the Network Administrator to obtain the relevant details)

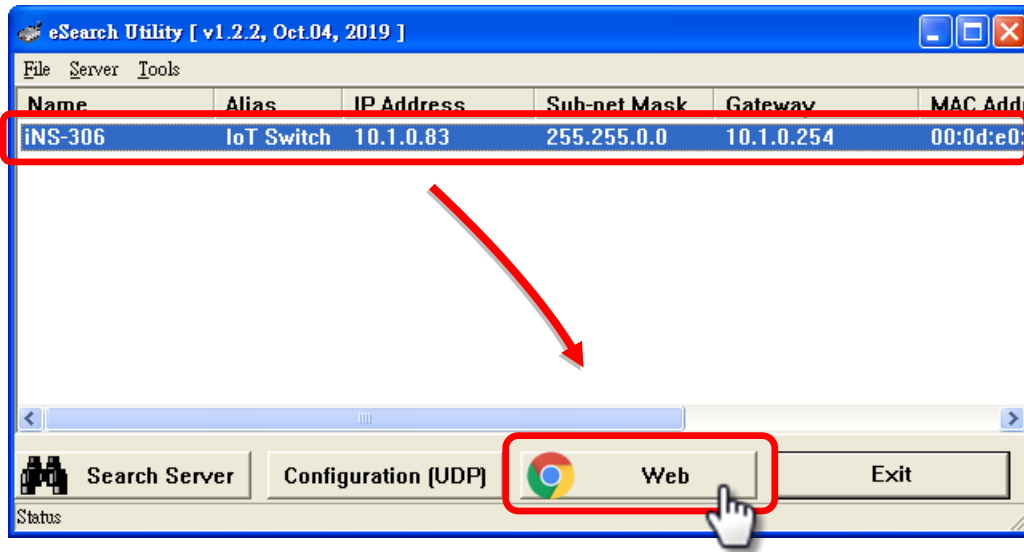


Step 6: Wait for 2 seconds and then click “Search Servers” again to ensure that the module is functioning properly with new configuration.



Step 7: Click the “Web” button to connect to the web interface

(Or entering the iNS-300's IP address into a web browser)



Step 8: Change password upon first login

The default password for logging in to the iNS-300 web page is **Admin**. You will be prompted to change your password upon first login or when the password is the same as the default.

(Create a 1 to 12 character password using alphanumeric characters only.) (圖重做)

The screenshot shows the 'IoT Switch' web interface with the 'Password' menu item selected. The 'Change Password' section contains three input fields: 'Current password', 'New password', and 'Confirm new password'. A 'Submit' button is located to the right of the 'Confirm new password' field. Four numbered callouts indicate the steps: 1. Enter Admin (pointing to the 'Current password' field), 2. Enter new password (pointing to the 'New password' field), 3. Enter new password again (pointing to the 'Confirm new password' field), and 4. Click Submit (pointing to the 'Submit' button).

ICP DAS IoT Switch
[Home](#) | [Network](#) | [Schedule](#) | [Filter](#) | [Password](#) | [Logout](#)

Change Password

The length of the password is 12 characters maximum.
Change-password is required if the current password is same as factory setting.

1 Enter Admin
2 Enter new password
3 Enter new password again
4 Click **Submit**

4. Web Configuration

The INS-308 has a built-in Web Server, which provides an intuitive web interface, allowing users to login to the module for monitoring the physical status of an Ethernet or PoE port, configuring and managing module settings through a browser.

4.1 Home

The **Home** page is the startup page when you log into the module. It displays detailed information about the module and the connection status and power consumption of the POE devices. You can turn on and off the PoE power, or enable/disable jumbo frame support here.

Model Name	INS-308	Alias Name	IoT Switch
Firmware Version	v00.9.6 [20221118]	MAC Address	00-0d-e0-02-03-08
IP Address	10.0.8.20	Modbus TCP Timeout(Seconds)	30
Device Date	2022/11/30, WED	Device Time	16:51

PoE Supply Voltage (V)	Class Defined Power Limit (CDPL)	Jumbo Frame	Broadcasting Storm Filter
53	<input checked="" type="checkbox"/>	<input type="checkbox"/>	<input type="checkbox"/>

Port Number	PoE Enable	Output Limit (W)	Current (mA)	Watt (W)	TEMP (°C)	PD Class	Link Status	Link Config
Port 1	<input type="checkbox"/>	-----	0	0.0	35	N/D	100M/Full Duplex	Auto
Port 2	<input type="checkbox"/>	-----	0	0.0	34	N/D	--- Link Down ---	Auto
Port 3	<input type="checkbox"/>	-----	0	0.0	35	N/D	--- Link Down ---	Auto
Port 4	<input type="checkbox"/>	-----	0	0.0	33	N/D	--- Link Down ---	Auto
Port 5	<input type="checkbox"/>	-----	0	0.0	38	N/D	--- Link Down ---	Auto
Port 6	<input type="checkbox"/>	-----	0	0.0	33	N/D	--- Link Down ---	Auto
Port 7	<input type="checkbox"/>	-----	0	0.0	35	N/D	--- Link Down ---	Auto
Port 8	<input type="checkbox"/>	-----	0	0.0	34	N/D	--- Link Down ---	Auto

The first section provides basic information related to the module including the model name, firmware version, IP address, MAC address and so forth.

Model Name	INS-308	Alias Name	INS-308
Firmware Version	v00.0.3 [20220601]	MAC Address	00-0d-e0-00-03-08
IP Address	10.0.8.30	Modbus TCP Timeout(Seconds)	30
Device Date	2022/6/20, MON	Device Time	14:39

The second section displays the PoE Supply Voltage & Advanced Ethernet configure

PoE Supply Voltage (V)	Class Defined Power Limit (CDPL)	Jumbo Frame	Strom Filter
53	<input checked="" type="checkbox"/>	<input type="checkbox"/>	<input type="checkbox"/>

Port Number	PoE Enable	Output Limit (W)	Current (mA)	Watt (W)	TEMP (°C)	PD Class	Link Status	Link Config
Port 1	<input type="button" value="ON"/>	----	0	0.0	39	N/D	--- No Link ---	<input type="button" value="Auto"/>
Port 2	<input type="button" value="ON"/>	----	0	0.0	39	N/D	--- No Link ---	<input type="button" value="Auto"/>
Port 3	<input type="button" value="ON"/>	----	0	0.0	37	N/D	--- No Link ---	<input type="button" value="Auto"/>
Port 4	<input type="button" value="ON"/>	----	0	0.0	40	N/D	100M/Full Duplex	<input type="button" value="Auto"/>
Port 5	<input type="button" value="ON"/>	----	0	0.0	38	N/D	--- No Link ---	<input type="button" value="Auto"/>
Port 6	<input type="button" value="ON"/>	----	0	0.0	38	N/D	--- No Link ---	<input type="button" value="Auto"/>
Port 7	<input type="button" value="ON"/>	----	0	0.0	38	N/D	--- No Link ---	<input type="button" value="Auto"/>
Port 8	<input type="button" value="ON"/>	----	0	0.0	45	N/D	--- No Link ---	<input type="button" value="Auto"/>

The third section displays Current , Watt and Ethernet link status of per port

Item	Description
PoE Enable	Displays the power on/off status of a PoE port. Click botton to On/Off Power <input type="button" value="ON"/> Enable PoE Power <input type="button" value="OFF"/> Disable PoE Power
Output Limit(W)	Display & configure PoE Power output limit(W) * this function can not used for CDPL mode
Current(mA)	The current of connected PoE devices (unit: mA)
Watt(W)	The power consumption of connected PoE devices (unit: W)
TEMP (°C)	Display iNS-308 PoE Port(inside) temperature
PD Class	Display PoE device Class level for power N/D – No Device Class 0 – Range 0~15.4W Class 1 – Max 3.8W Class 2 – Max 6.8W Class 3 – Max 15.4W Class 4 – Max 30W * Overloading protect only action at CDPL mode
Link Status	Display Port link status and Speed
Link Configure	Configure Port link speed and full/half duplex mode, Default Auto-negotiation

4.2 Schedule

On the Schedule page, you can manage the power schedule for PoE powered device(s) in a week.



iNS Series IoT Switch

Home **Schedule** Network SNMP Filter Password Logout

The first section provides PoE Port select 、 schedule Enable/Disable and reset delay configure interface.

Week Schedule Settings

Port

Port 1 Power On Schedule	Disable	<input checked="" type="checkbox"/> Click the (Col/Row) button to toggle the PoE port On/Off on each hour.
Port 1 Power Reset Schedule	Power Reset for: <input type="text" value="10"/> seconds	<input checked="" type="checkbox"/> Click the Reset button to toggle the power reset function for the PoE port. This function is only work when the power state of the PoE port is on.

When, Power On Schedule set to “Enable” and Power schedule setup is complete, must click “Update Settings” button to save and activation.

Port 1 (Hour)	Col Select All for Days	ROW Select All for Hour																							
		0	1	2	3	4	5	6	7	8	9	10	11	12	13	14	15	16	17	18	19	20	21	22	23
Sunday	Toggle On/Off	<input checked="" type="checkbox"/>	<input type="checkbox"/>	<input type="checkbox"/>	<input type="checkbox"/>	<input type="checkbox"/>	<input type="checkbox"/>	<input type="checkbox"/>	<input checked="" type="checkbox"/>	<input type="checkbox"/>	<input type="checkbox"/>	<input type="checkbox"/>	<input type="checkbox"/>	<input type="checkbox"/>	<input type="checkbox"/>	<input checked="" type="checkbox"/>	<input type="checkbox"/>	<input type="checkbox"/>	<input type="checkbox"/>	<input type="checkbox"/>	<input type="checkbox"/>	<input type="checkbox"/>	<input checked="" type="checkbox"/>	<input type="checkbox"/>	<input type="checkbox"/>
	Toggle Reset	<input checked="" type="checkbox"/>	<input type="checkbox"/>	<input type="checkbox"/>	<input type="checkbox"/>	<input type="checkbox"/>	<input type="checkbox"/>	<input type="checkbox"/>	<input type="checkbox"/>	<input type="checkbox"/>	<input type="checkbox"/>	<input type="checkbox"/>	<input type="checkbox"/>	<input type="checkbox"/>	<input type="checkbox"/>	<input checked="" type="checkbox"/>	<input type="checkbox"/>	<input type="checkbox"/>	<input type="checkbox"/>	<input type="checkbox"/>	<input type="checkbox"/>	<input type="checkbox"/>	<input type="checkbox"/>	<input type="checkbox"/>	<input type="checkbox"/>
Monday	Toggle On/Off	<input type="checkbox"/>	<input checked="" type="checkbox"/>	<input type="checkbox"/>	<input type="checkbox"/>	<input type="checkbox"/>	<input type="checkbox"/>	<input type="checkbox"/>	<input type="checkbox"/>	<input type="checkbox"/>	<input type="checkbox"/>	<input type="checkbox"/>	<input type="checkbox"/>	<input type="checkbox"/>	<input type="checkbox"/>	<input type="checkbox"/>	<input type="checkbox"/>	<input type="checkbox"/>	<input type="checkbox"/>	<input type="checkbox"/>	<input type="checkbox"/>	<input type="checkbox"/>	<input type="checkbox"/>	<input type="checkbox"/>	<input type="checkbox"/>
	Toggle Reset	<input type="checkbox"/>	<input type="checkbox"/>	<input type="checkbox"/>	<input type="checkbox"/>	<input type="checkbox"/>	<input type="checkbox"/>	<input type="checkbox"/>	<input type="checkbox"/>	<input type="checkbox"/>	<input type="checkbox"/>	<input type="checkbox"/>	<input type="checkbox"/>	<input type="checkbox"/>	<input type="checkbox"/>	<input type="checkbox"/>	<input type="checkbox"/>	<input type="checkbox"/>	<input type="checkbox"/>	<input type="checkbox"/>	<input type="checkbox"/>	<input type="checkbox"/>	<input type="checkbox"/>	<input type="checkbox"/>	<input type="checkbox"/>
Tuesday	Toggle On/Off	<input type="checkbox"/>	<input type="checkbox"/>	<input checked="" type="checkbox"/>	<input type="checkbox"/>	<input type="checkbox"/>	<input type="checkbox"/>	<input type="checkbox"/>	<input type="checkbox"/>	<input type="checkbox"/>	<input type="checkbox"/>	<input type="checkbox"/>	<input type="checkbox"/>	<input type="checkbox"/>	<input type="checkbox"/>	<input type="checkbox"/>	<input type="checkbox"/>	<input type="checkbox"/>	<input type="checkbox"/>	<input type="checkbox"/>	<input type="checkbox"/>	<input type="checkbox"/>	<input type="checkbox"/>	<input type="checkbox"/>	<input type="checkbox"/>
	Toggle Reset	<input type="checkbox"/>	<input type="checkbox"/>	<input type="checkbox"/>	<input type="checkbox"/>	<input type="checkbox"/>	<input type="checkbox"/>	<input type="checkbox"/>	<input type="checkbox"/>	<input type="checkbox"/>	<input type="checkbox"/>	<input type="checkbox"/>	<input type="checkbox"/>	<input type="checkbox"/>	<input type="checkbox"/>	<input type="checkbox"/>	<input type="checkbox"/>	<input type="checkbox"/>	<input type="checkbox"/>	<input type="checkbox"/>	<input type="checkbox"/>	<input type="checkbox"/>	<input type="checkbox"/>	<input type="checkbox"/>	<input type="checkbox"/>
Wednesday	Toggle On/Off	<input type="checkbox"/>	<input type="checkbox"/>	<input type="checkbox"/>	<input checked="" type="checkbox"/>	<input type="checkbox"/>	<input type="checkbox"/>	<input type="checkbox"/>	<input type="checkbox"/>	<input type="checkbox"/>	<input type="checkbox"/>	<input type="checkbox"/>	<input type="checkbox"/>	<input type="checkbox"/>	<input type="checkbox"/>	<input type="checkbox"/>	<input type="checkbox"/>	<input type="checkbox"/>	<input type="checkbox"/>	<input type="checkbox"/>	<input type="checkbox"/>	<input type="checkbox"/>	<input type="checkbox"/>	<input type="checkbox"/>	<input type="checkbox"/>
	Toggle Reset	<input type="checkbox"/>	<input type="checkbox"/>	<input type="checkbox"/>	<input checked="" type="checkbox"/>	<input type="checkbox"/>	<input type="checkbox"/>	<input type="checkbox"/>	<input type="checkbox"/>	<input type="checkbox"/>	<input type="checkbox"/>	<input type="checkbox"/>	<input type="checkbox"/>	<input type="checkbox"/>	<input type="checkbox"/>	<input type="checkbox"/>	<input type="checkbox"/>	<input type="checkbox"/>	<input type="checkbox"/>	<input type="checkbox"/>	<input type="checkbox"/>	<input type="checkbox"/>	<input type="checkbox"/>	<input type="checkbox"/>	<input type="checkbox"/>
Thursday	Toggle On/Off	<input type="checkbox"/>	<input type="checkbox"/>	<input checked="" type="checkbox"/>	<input type="checkbox"/>	<input type="checkbox"/>	<input type="checkbox"/>	<input type="checkbox"/>	<input type="checkbox"/>	<input type="checkbox"/>	<input type="checkbox"/>	<input type="checkbox"/>	<input type="checkbox"/>	<input type="checkbox"/>	<input type="checkbox"/>	<input type="checkbox"/>	<input type="checkbox"/>	<input type="checkbox"/>	<input type="checkbox"/>	<input type="checkbox"/>	<input type="checkbox"/>	<input type="checkbox"/>	<input type="checkbox"/>	<input type="checkbox"/>	<input type="checkbox"/>
	Toggle Reset	<input type="checkbox"/>	<input type="checkbox"/>	<input type="checkbox"/>	<input type="checkbox"/>	<input type="checkbox"/>	<input type="checkbox"/>	<input type="checkbox"/>	<input type="checkbox"/>	<input type="checkbox"/>	<input type="checkbox"/>	<input type="checkbox"/>	<input type="checkbox"/>	<input type="checkbox"/>	<input type="checkbox"/>	<input type="checkbox"/>	<input type="checkbox"/>	<input type="checkbox"/>	<input type="checkbox"/>	<input type="checkbox"/>	<input type="checkbox"/>	<input type="checkbox"/>	<input type="checkbox"/>	<input type="checkbox"/>	<input type="checkbox"/>
Friday	Toggle On/Off	<input type="checkbox"/>	<input checked="" type="checkbox"/>	<input type="checkbox"/>	<input type="checkbox"/>	<input type="checkbox"/>	<input type="checkbox"/>	<input type="checkbox"/>	<input type="checkbox"/>	<input type="checkbox"/>	<input type="checkbox"/>	<input type="checkbox"/>	<input type="checkbox"/>	<input type="checkbox"/>	<input type="checkbox"/>	<input type="checkbox"/>	<input type="checkbox"/>	<input type="checkbox"/>	<input type="checkbox"/>	<input type="checkbox"/>	<input type="checkbox"/>	<input type="checkbox"/>	<input type="checkbox"/>	<input type="checkbox"/>	<input type="checkbox"/>
	Toggle Reset	<input type="checkbox"/>	<input type="checkbox"/>	<input type="checkbox"/>	<input type="checkbox"/>	<input type="checkbox"/>	<input type="checkbox"/>	<input type="checkbox"/>	<input type="checkbox"/>	<input type="checkbox"/>	<input type="checkbox"/>	<input type="checkbox"/>	<input type="checkbox"/>	<input type="checkbox"/>	<input type="checkbox"/>	<input type="checkbox"/>	<input type="checkbox"/>	<input type="checkbox"/>	<input type="checkbox"/>	<input type="checkbox"/>	<input type="checkbox"/>	<input type="checkbox"/>	<input type="checkbox"/>	<input type="checkbox"/>	<input type="checkbox"/>
Saturday	Toggle On/Off	<input checked="" type="checkbox"/>	<input type="checkbox"/>	<input type="checkbox"/>	<input type="checkbox"/>	<input type="checkbox"/>	<input checked="" type="checkbox"/>	<input type="checkbox"/>	<input type="checkbox"/>	<input type="checkbox"/>	<input type="checkbox"/>	<input checked="" type="checkbox"/>	<input type="checkbox"/>	<input type="checkbox"/>	<input type="checkbox"/>	<input checked="" type="checkbox"/>	<input type="checkbox"/>	<input type="checkbox"/>	<input type="checkbox"/>	<input checked="" type="checkbox"/>	<input type="checkbox"/>	<input type="checkbox"/>	<input type="checkbox"/>	<input type="checkbox"/>	<input type="checkbox"/>
	Toggle Reset	<input checked="" type="checkbox"/>	<input type="checkbox"/>	<input type="checkbox"/>	<input type="checkbox"/>	<input type="checkbox"/>	<input checked="" type="checkbox"/>	<input type="checkbox"/>	<input type="checkbox"/>	<input type="checkbox"/>	<input type="checkbox"/>	<input type="checkbox"/>	<input type="checkbox"/>	<input type="checkbox"/>	<input type="checkbox"/>	<input type="checkbox"/>	<input type="checkbox"/>	<input type="checkbox"/>	<input type="checkbox"/>	<input type="checkbox"/>	<input type="checkbox"/>	<input type="checkbox"/>	<input type="checkbox"/>	<input type="checkbox"/>	<input type="checkbox"/>

* Configure method please refer to **5.2 Power Schedule** chapter

4.3 Network

The Network page contains the IP Address Configuration section allowing you to verify network settings, General Settings, Restore Factory Defaults and Firmware Update sections. Each of which will be described in more detail below.



iNS Series IoT Switch

[Home](#) [Schedule](#) [Network](#) [SNMP](#) [Filter](#) [Password](#) [Logout](#)

The IP Address Configuration section displays the network parameters of the module allowing you to modify these settings. You can select DHCP to receive a dynamic IP address from a DHCP server, or select static IP to manually assign an IP address to the module here.

IPv4 Address				
Address Type	DHCP			
Static IPv4 Address	10	0	8	233
Subnet Mask	255	255	255	0
Default Gateway	10	0	8	254
MAC Address	00-0d-e0-00-03-08 (Format: FF-FF-FF-FF-FF-FF)			

Item	Description
Address Type	Static IP: Manually set the IP Address, Subnet Mask and Default Gateway.
	DHCP: Using dynamic IP address that the DHCP server assigns.
Static IP Address	Enter an unique IP address on the network that the module is connected. This setting is available only when Address Type is Static IP enabled.
Subnet Mask	Enter a subnet mask. (Available only when Static IP is enabled.)
Default Gateway	Enter a default gateway. (Available only when Static IP is enabled.)
MAC Address	Enter a new MAC address if required. (Not recommended to modify.)

➤ DHCP Configuration

If a DHCP server is connected to you network, a network address can be dynamically assigned by enabling DHCP client mode.

Step 1: Select “**DHCP**” from the **Address Type** drop-down menu.

Step 2: Click the “**Update Settings**” button to complete the configuration.

IPv4 Address	
Address Type	DHCP
Static IPv4 Address	10 . 0 . 8 . 233
Subnet Mask	255 . 255 . 255 . 0
Default Gateway	10 . 0 . 8 . 254
MAC Address	00-0d-e0-00-03-08 (Format: FF-FF-FF-FF-FF-FF)

➤ Static IP Configuration

If Static IP is selected, you have to assign an IP address, a subnet mask and default gateway.

Step 1: Select “**Static IP**” from the **Address Type** drop-down menu.

Step 2: Enter the relevant details in the respective **network settings** fields.

Step 3: Click the “**Update Settings**” button to complete the configuration.

IPv4 Address	
Address Type	Static IP
Static IPv4 Address	10 . 0 . 8 . 233
Subnet Mask	255 . 255 . 255 . 0
Default Gateway	10 . 0 . 8 . 254
MAC Address	00-0d-e0-00-03-08 (Format: FF-FF-FF-FF-FF-FF)

The General Settings section provides options for viewing and changing a variety of network settings, including Ethernet Speed, System Timeout, TCP Timeout, Web Auto-logout, etc.

General Settings

Ethernet Speed	<input type="text" value="Auto"/> (Auto=10/100 Mbps Auto-negotiation)
Modbus TCP Timeout	<input type="text" value="30"/> (5 ~ 65000 s, Default = 180, Disable = 0) Action:Cut-off connection
UDP Heartbeat	<input type="text" value="0"/> (20 ~ 300 seconds, 0 = Default Disabled)
UDP Configuration	<input type="text" value="Enable"/> (Enable/Disable the UDP Configuration, Default = Enable)
Web Auto-logout	<input type="text" value="0"/> (1 ~ 65000 minutes, Default = 10, Disable = 0)
HTTP port	<input type="text" value="80"/> (Default = 80)
Alias Name	<input type="text" value="iNS-308"/> (Max. 18 chars)

Item	Description
Ethernet Speed	Set the iNS-308 CPU Ethernet speed
Modbus TCP Timeout (unit: sec)	Set the Modbus TCP timeout period. If there is no traffic on the network over the time set in this field, the connection will be automatically closed.
UDP Configuration	Enable or disable the UDP configuration function.
Web Auto-logout	Set the automatic logout time. The user will be log out after the predetermined period of inactivity on web interface has elapsed
Alias Name	Assign the alias name. Assigning a unique alias to each iNS-308 helps to identify multiple modules on the same network.
HTTP Port	Assign an HTTP port for the iNS-300 series module. The new setting will take effect after the module is restarted. The default value is 80. If a custom HTTP port is used, you have to add the port number after the IP address to connect the iNS-300 series module web interface. For example, enter "IP address: HTTP port" as " xx.xx.xx.xx:81 " in your browser. (iNS-300's IP address)
Update Settings	Click this button to update the revised settings.

You can restore the iNS-300 series module to factory default settings or reboot it in the Other Operations section.

Other Operations

Restore all options to their factory default states Restore Defaults

Reboot the Device Reboot

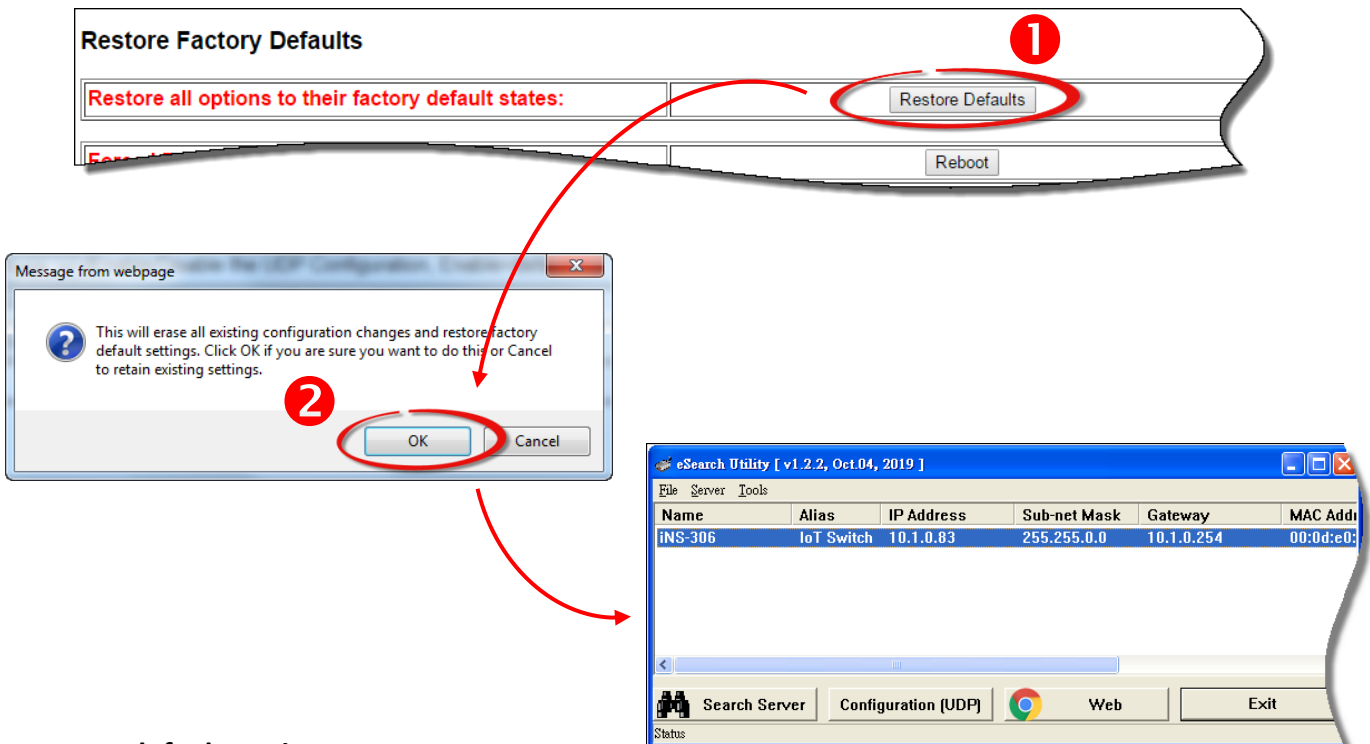
Firmware update via Ethernet
If the remote firmware update is failed, then on-site firmware update is required to make the module working again.
Step 1: Refer to firmware update manual first.
Step 2: Run eSearch Utility to prepare and wait for update.
Step 3: Click the [Update] button to **reboot** the module and start update.
Step 4: Configure the module again. Update

➤ **Restoring Factory Default Settings**

Step 1: Click the “Restore Defaults” button.

Step 2: Click “OK” on the pop-up dialog box.

Step 3: Search the iNS-300 series module in the eSearch Utility to confirm if the factory default settings have been restored. Refer to [Sec.3.3 Configuring the Network Settings](#) for more detailed information.



Factory default settings

IP Address	192.168.255.1
Gateway Address	192.168.0.1
Subnet Mask	255.255.0.0

➤ Rebooting the Module

Step 1: Click the “**Reboot**” button in the right field of Force Reboot.

Step 2: After the module restarts, reload the web interface and log into the module again.

Other Operations

Restore all options to their factory default states Restore Defaults

Reboot the Device Reboot

Firmware update via Ethernet
If the remote firmware update is failed, then on-site firmware update is required to make the module working again.
Step 1: Refer to firmware update manual first.
Step 2: Run eSearch Utility to prepare and wait for update.
Step 3: Click the **[Update]** button to **reboot** the module and start update.
Step 4: Configure the module again. Update



iNS Series IoT Switch

[Home](#) [Schedule](#) [Network](#) [Filter](#) [Password](#) [Logout](#)

The system is logged out.

To enter the web configuration, please type password in the following field.

Login password: Submit

Google Chrome: Menu / Settings / Show advanced settings / Privacy / Content settings / Javascript / Allow all sites to run JavaScript (recommended).

Microsoft IE: Menu / Tools / Internet Options / Security / Internet / Custom level... / Scripting / Enable.

Firefox: about:config / I'll be careful, I promise! / Preference Name / javascript.enabled / True.


When using IE, please disable its cache as follows.

Menu items: Tools / Internet Options... / General / Temporary Internet Files / Settings... / Every visit to the page

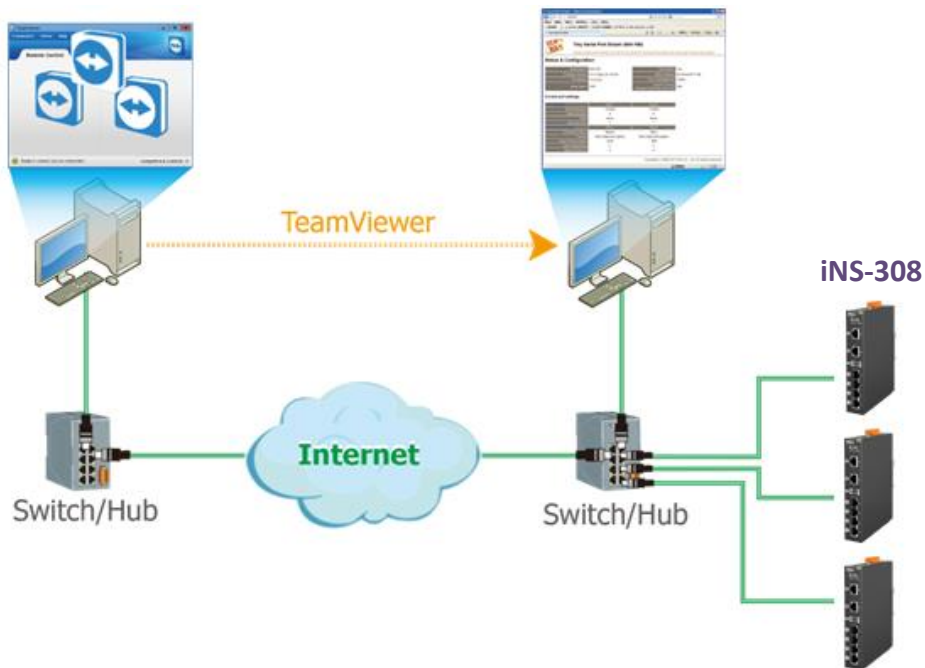
➤ Updating Firmware

Generally, you have to manually put the operating mode switch(1) in INIT position and reboot the iNS-300 series module to update the firmware. But when the iNS-300 series module is deployed on the ceiling or in areas that are isolated and hard to reach, you can update firmware by clicking the **“Reboot”** button in the Firmware Update section via the network without manual adjustment.

Firmware Update

<p>If the remote firmware update is failed, then the traditional firmware update (on-site) is required to make the module working again.</p> <p>Step 1: Refer to firmware update manual first. Step 2: Run eSearch Utility to prepare and wait for update. Step 3: Click the [Update] button to reboot the module and start update. Step 4: Configure the module again.</p>	
---	---

Note that the iNS-300 series module needs to be connected to the same network as your computer. If not, using remote desktop software like TeamViewer to access to a computer connected to the same network of the iNS-300 series module, you can remotely update firmware in the same way.



⚠ Note If the remote firmware update fails, the module will not work properly. It is necessary to manually update the firmware for the module to function correctly

4.4 SNMP

The SNMP Page contains SNMP Configuration & trap address setup.



iNS Series IoT Switch

Home Schedule Network **SNMP** Filter Password Logout

Use "SNMP v2c Agent Configuration" to set SNMP basic parameters and Trap IP Address, check the Enable SNMP item and click the **Update Settings** button to enable the function

SNMP v2c Agent Configuration

System Info	Setting
Contact	User <input type="text"/> (Max. 47 chars)
Location	Site <input type="text"/> (Max. 47 chars)
Description	EtherIO <input type="text"/> (Max. 47 chars)
Name	Device <input type="text"/> (Max. 47 chars)
Function	Setting
Read-Only Community	public <input type="text"/> (Max. 47 chars, example: public)
Read-Write Community	private <input type="text"/> (Max. 47 chars, example: private)
Trap Community	public <input type="text"/> (Max. 47 chars, example: public)
Manager / Trap IP #1	10.0.8.43 <input type="text"/> (IPv4/v6 Address, example: 10.0.8.123, fe80:0:0:a8ee:dc07:1cda:5678)
Manager / Trap IP #2	0.0.0.0 <input type="text"/>
Generic Trap	<input checked="" type="checkbox"/> Cold Start <input checked="" type="checkbox"/> Warm Start
Enable SNMP	<input checked="" type="checkbox"/> Check to enable. (Default disabled)

Note. Modify the SNMP Enable status please reboot the iNS-308 to activate the Modification
 iNS-308 provide PoE Power Enable & Link status trap function, then status Modify will send information to your Trap IP, more information, please refer to the iNS-300 SNMP manual

SNMP Specific Trap

Port Number	PoE Status Change	Specific ID (1-255)	Link Status Change	Specific ID (1-255)
Port 1	<input checked="" type="checkbox"/>	<input type="text" value="11"/>	<input checked="" type="checkbox"/>	<input type="text" value="21"/>
Port 2	<input checked="" type="checkbox"/>	<input type="text" value="12"/>	<input checked="" type="checkbox"/>	<input type="text" value="22"/>
Port 3	<input checked="" type="checkbox"/>	<input type="text" value="13"/>	<input checked="" type="checkbox"/>	<input type="text" value="23"/>
Port 4	<input checked="" type="checkbox"/>	<input type="text" value="14"/>	<input checked="" type="checkbox"/>	<input type="text" value="24"/>
Port 5	<input checked="" type="checkbox"/>	<input type="text" value="15"/>	<input checked="" type="checkbox"/>	<input type="text" value="25"/>
Port 6	<input checked="" type="checkbox"/>	<input type="text" value="16"/>	<input checked="" type="checkbox"/>	<input type="text" value="26"/>
Port 7	<input checked="" type="checkbox"/>	<input type="text" value="17"/>	<input checked="" type="checkbox"/>	<input type="text" value="27"/>
Port 8	<input checked="" type="checkbox"/>	<input type="text" value="18"/>	<input checked="" type="checkbox"/>	<input type="text" value="28"/>

4.5 Filter

The Filter page is used to query or edit the IP Filter list (Allow IP List) for the iNS-300 series module. The IP filter list restricts the access of incoming packets based on the IP address. If one or more IP addresses are saved into the **Allow IP List**, only clients that have an IP address within the filter list can access the iNS-300 series module .



iNS Series IoT Switch

[Home](#)
[Schedule](#)
[Network](#)
[SNMP](#)
[Filter](#)
[Password](#)
[Logout](#)

Filter Setting (disabled when all zero):

Accessible IP	IP Address
IP1	0.0.0.0
IP2	0.0.0.0
IP3	0.0.0.0
IP4	0.0.0.0
IP5	0.0.0.0

- Add IPv4 To The List
 - Add IPv6 To The List
 - Delete IP#
 - Delete ALL
 - Save to Flash
-

Item	Description
Add "IP" to the List	Enter the new IP address to the Allow IP List.
Delete IP #	Enter the IP# (number = 1 ~ 5) to delete the IP address from the Allow IP List.
Delete All	Delete all IP addresses contained in the Allow IP List.
Save to Flash	Check the checkbox before clicking "Submit" to save the content within Allow IP List to the Flash memory.
Submit	Click this button to apply the revised settings.

4.6 Changing Password



iNS Series IoT Switch

[Home](#) [Schedule](#) [Network](#) [SNMP](#) [Filter](#) **[Password](#)** [Logout](#)

You can change password on the **Password** page.

Step 1: Enter your current password in the “**Current password**” field.

Step 2: Enter your new password in the “**New password**” field.

(1 ~ 12 alphanumeric characters are allowed)

Step 3: Enter your new password in the “**Confirm new password**” field.

Step 4: click the “**Submit**” button to update the password.

Change Password

The length of the password is 12 characters maximum.

Current password:	<input type="text"/>
New password:	<input type="text"/>
Confirm new password:	<input type="text"/>
	<input type="button" value="Submit"/>

4.7 Logout



iNS Series IoT Switch

[Home](#) [Schedule](#) [Network](#) [SNMP](#) [Filter](#) [Password](#) [Logout](#)

Click “**Logout**” on the navigation bar to log out of your account. It redirects you to the login page

The system is logged out.

To enter the web configuration, please type password in the following field.

Login password:

Google: Menu / Settings / Show advanced settings / Privacy / Content settings / Javascript / Allow all sites to run JavaScript (recommended).

Microsoft IE: Menu / Tools / Internet Options / Security / Internet / Custom level... / Scripting / Enable.

Firefox: about:config / I'll be careful, I promise! / Preference Name / javascript.enabled / True.

When using IE, please disable its cache as follows.

Menu items: Tools / Internet Options... / General / Temporary Internet Files / Settings... / Every visit to the page

5. PoE function configure

5.1 RTC

Correct system time is essential to network communication and PoE power management. Configure the system time correctly before you run the module on the network, iNS-308 provide Automatic synchronization method to set iNS-308 system time, when iNS-308 Web login, it will auto sync PC system Time to iNS-308

5.2 Power Schedule

You can configure a weekly schedule for each PoE port individually to reboot the attached devices. The iNS-308 will check the schedule every hour on the hour. If the checkbox for reset function is selected, the power on a POE port will be turned off and turned on again for specified time interval

Step1: Select the PoE port number, setting Enable/Disable and the period between turning off the PoE power and turning it back on again.

Port 1 ▾

Port 1 Power On Schedule	<input type="button" value="Disable"/>	<input checked="" type="checkbox"/> Click the (Col/Row) button to toggle the PoE port On/Off on each hour.
Port 1 Power Reset Schedule	Power Reset for: <input type="text" value="10"/> seconds	<input checked="" type="checkbox"/> Click the Reset button to toggle the power reset function for the PoE port. This function is only work when the power state of the PoE port is on.

Item	Description
Port	Select sechedule port number.
Port Power On Sechedule	Sechedule Enable/Disable select, default Disable.
Port Power Reset Schedule	Power reset delay time, default 10 Sec.

Step2: Click the small box for enabling or disabling the reset function at specified times.

Step3: Click “update settings” to update the revised settings.

Port 1 (Hour)	Col Select All for Days	ROW Select All for Hour																								
		0	1	2	3	4	5	6	7	8	9	10	11	12	13	14	15	16	17	18	19	20	21	22	23	
Sunday	Toggle On/Off	<input checked="" type="checkbox"/>	<input type="checkbox"/>	<input type="checkbox"/>	<input type="checkbox"/>	<input type="checkbox"/>	<input type="checkbox"/>	<input type="checkbox"/>	<input checked="" type="checkbox"/>	<input type="checkbox"/>	<input type="checkbox"/>	<input type="checkbox"/>	<input type="checkbox"/>	<input type="checkbox"/>	<input type="checkbox"/>	<input checked="" type="checkbox"/>	<input type="checkbox"/>	<input type="checkbox"/>	<input type="checkbox"/>	<input type="checkbox"/>	<input type="checkbox"/>	<input type="checkbox"/>	<input type="checkbox"/>	<input checked="" type="checkbox"/>	<input type="checkbox"/>	<input type="checkbox"/>
	Toggle Reset	<input checked="" type="checkbox"/>	<input type="checkbox"/>	<input type="checkbox"/>	<input type="checkbox"/>	<input type="checkbox"/>	<input type="checkbox"/>	<input type="checkbox"/>	<input type="checkbox"/>	<input type="checkbox"/>	<input type="checkbox"/>	<input type="checkbox"/>	<input type="checkbox"/>	<input type="checkbox"/>	<input type="checkbox"/>	<input checked="" type="checkbox"/>	<input type="checkbox"/>	<input type="checkbox"/>	<input type="checkbox"/>	<input type="checkbox"/>	<input type="checkbox"/>	<input type="checkbox"/>	<input type="checkbox"/>	<input type="checkbox"/>	<input type="checkbox"/>	<input type="checkbox"/>
Monday	Toggle On/Off	<input type="checkbox"/>	<input checked="" type="checkbox"/>	<input type="checkbox"/>	<input type="checkbox"/>	<input type="checkbox"/>	<input type="checkbox"/>	<input type="checkbox"/>	<input type="checkbox"/>	<input type="checkbox"/>	<input type="checkbox"/>	<input type="checkbox"/>	<input type="checkbox"/>	<input type="checkbox"/>	<input type="checkbox"/>	<input type="checkbox"/>	<input type="checkbox"/>	<input type="checkbox"/>	<input type="checkbox"/>	<input type="checkbox"/>	<input type="checkbox"/>	<input type="checkbox"/>	<input type="checkbox"/>	<input type="checkbox"/>	<input type="checkbox"/>	<input type="checkbox"/>
	Toggle Reset	<input type="checkbox"/>	<input type="checkbox"/>	<input type="checkbox"/>	<input type="checkbox"/>	<input type="checkbox"/>	<input type="checkbox"/>	<input type="checkbox"/>	<input type="checkbox"/>	<input type="checkbox"/>	<input type="checkbox"/>	<input type="checkbox"/>	<input type="checkbox"/>	<input type="checkbox"/>	<input type="checkbox"/>	<input type="checkbox"/>	<input type="checkbox"/>	<input type="checkbox"/>	<input type="checkbox"/>	<input type="checkbox"/>	<input type="checkbox"/>	<input type="checkbox"/>	<input type="checkbox"/>	<input type="checkbox"/>	<input type="checkbox"/>	<input type="checkbox"/>
Tuesday	Toggle On/Off	<input type="checkbox"/>	<input type="checkbox"/>	<input type="checkbox"/>	<input checked="" type="checkbox"/>	<input type="checkbox"/>	<input type="checkbox"/>	<input type="checkbox"/>	<input type="checkbox"/>	<input type="checkbox"/>	<input type="checkbox"/>	<input type="checkbox"/>	<input type="checkbox"/>	<input type="checkbox"/>	<input type="checkbox"/>	<input type="checkbox"/>	<input type="checkbox"/>	<input type="checkbox"/>	<input type="checkbox"/>	<input type="checkbox"/>	<input type="checkbox"/>	<input type="checkbox"/>	<input type="checkbox"/>	<input type="checkbox"/>	<input type="checkbox"/>	<input type="checkbox"/>
	Toggle Reset	<input type="checkbox"/>	<input type="checkbox"/>	<input type="checkbox"/>	<input type="checkbox"/>	<input type="checkbox"/>	<input type="checkbox"/>	<input type="checkbox"/>	<input type="checkbox"/>	<input type="checkbox"/>	<input type="checkbox"/>	<input type="checkbox"/>	<input type="checkbox"/>	<input type="checkbox"/>	<input type="checkbox"/>	<input type="checkbox"/>	<input type="checkbox"/>	<input type="checkbox"/>	<input type="checkbox"/>	<input type="checkbox"/>	<input type="checkbox"/>	<input type="checkbox"/>	<input type="checkbox"/>	<input type="checkbox"/>	<input type="checkbox"/>	<input type="checkbox"/>
Wednesday	Toggle On/Off	<input type="checkbox"/>	<input type="checkbox"/>	<input type="checkbox"/>	<input checked="" type="checkbox"/>	<input type="checkbox"/>	<input type="checkbox"/>	<input type="checkbox"/>	<input type="checkbox"/>	<input type="checkbox"/>	<input type="checkbox"/>	<input type="checkbox"/>	<input type="checkbox"/>	<input type="checkbox"/>	<input type="checkbox"/>	<input type="checkbox"/>	<input type="checkbox"/>	<input type="checkbox"/>	<input type="checkbox"/>	<input type="checkbox"/>	<input type="checkbox"/>	<input type="checkbox"/>	<input type="checkbox"/>	<input type="checkbox"/>	<input type="checkbox"/>	<input type="checkbox"/>
	Toggle Reset	<input type="checkbox"/>	<input type="checkbox"/>	<input type="checkbox"/>	<input checked="" type="checkbox"/>	<input type="checkbox"/>	<input type="checkbox"/>	<input type="checkbox"/>	<input type="checkbox"/>	<input type="checkbox"/>	<input type="checkbox"/>	<input type="checkbox"/>	<input type="checkbox"/>	<input type="checkbox"/>	<input type="checkbox"/>	<input type="checkbox"/>	<input type="checkbox"/>	<input type="checkbox"/>	<input type="checkbox"/>	<input type="checkbox"/>	<input type="checkbox"/>	<input type="checkbox"/>	<input type="checkbox"/>	<input type="checkbox"/>	<input type="checkbox"/>	<input type="checkbox"/>
Thursday	Toggle On/Off	<input type="checkbox"/>	<input type="checkbox"/>	<input checked="" type="checkbox"/>	<input type="checkbox"/>	<input type="checkbox"/>	<input type="checkbox"/>	<input type="checkbox"/>	<input type="checkbox"/>	<input type="checkbox"/>	<input type="checkbox"/>	<input type="checkbox"/>	<input type="checkbox"/>	<input type="checkbox"/>	<input type="checkbox"/>	<input type="checkbox"/>	<input type="checkbox"/>	<input type="checkbox"/>	<input type="checkbox"/>	<input type="checkbox"/>	<input type="checkbox"/>	<input type="checkbox"/>	<input type="checkbox"/>	<input type="checkbox"/>	<input type="checkbox"/>	<input type="checkbox"/>
	Toggle Reset	<input type="checkbox"/>	<input type="checkbox"/>	<input type="checkbox"/>	<input type="checkbox"/>	<input type="checkbox"/>	<input type="checkbox"/>	<input type="checkbox"/>	<input type="checkbox"/>	<input type="checkbox"/>	<input type="checkbox"/>	<input type="checkbox"/>	<input type="checkbox"/>	<input type="checkbox"/>	<input type="checkbox"/>	<input type="checkbox"/>	<input type="checkbox"/>	<input type="checkbox"/>	<input type="checkbox"/>	<input type="checkbox"/>	<input type="checkbox"/>	<input type="checkbox"/>	<input type="checkbox"/>	<input type="checkbox"/>	<input type="checkbox"/>	<input type="checkbox"/>
Friday	Toggle On/Off	<input type="checkbox"/>	<input checked="" type="checkbox"/>	<input type="checkbox"/>	<input type="checkbox"/>	<input type="checkbox"/>	<input type="checkbox"/>	<input type="checkbox"/>	<input type="checkbox"/>	<input type="checkbox"/>	<input type="checkbox"/>	<input type="checkbox"/>	<input type="checkbox"/>	<input type="checkbox"/>	<input type="checkbox"/>	<input type="checkbox"/>	<input type="checkbox"/>	<input type="checkbox"/>	<input type="checkbox"/>	<input type="checkbox"/>	<input type="checkbox"/>	<input type="checkbox"/>	<input type="checkbox"/>	<input type="checkbox"/>	<input type="checkbox"/>	<input type="checkbox"/>
	Toggle Reset	<input type="checkbox"/>	<input type="checkbox"/>	<input type="checkbox"/>	<input type="checkbox"/>	<input type="checkbox"/>	<input type="checkbox"/>	<input type="checkbox"/>	<input type="checkbox"/>	<input type="checkbox"/>	<input type="checkbox"/>	<input type="checkbox"/>	<input type="checkbox"/>	<input type="checkbox"/>	<input type="checkbox"/>	<input type="checkbox"/>	<input type="checkbox"/>	<input type="checkbox"/>	<input type="checkbox"/>	<input type="checkbox"/>	<input type="checkbox"/>	<input type="checkbox"/>	<input type="checkbox"/>	<input type="checkbox"/>	<input type="checkbox"/>	<input type="checkbox"/>
Saturday	Toggle On/Off	<input checked="" type="checkbox"/>	<input type="checkbox"/>	<input type="checkbox"/>	<input type="checkbox"/>	<input type="checkbox"/>	<input checked="" type="checkbox"/>	<input type="checkbox"/>	<input type="checkbox"/>	<input type="checkbox"/>	<input type="checkbox"/>	<input type="checkbox"/>	<input checked="" type="checkbox"/>	<input type="checkbox"/>	<input type="checkbox"/>	<input type="checkbox"/>	<input type="checkbox"/>	<input type="checkbox"/>	<input type="checkbox"/>	<input checked="" type="checkbox"/>	<input type="checkbox"/>	<input type="checkbox"/>	<input type="checkbox"/>	<input type="checkbox"/>	<input type="checkbox"/>	<input type="checkbox"/>
	Toggle Reset	<input checked="" type="checkbox"/>	<input type="checkbox"/>	<input type="checkbox"/>	<input type="checkbox"/>	<input type="checkbox"/>	<input checked="" type="checkbox"/>	<input type="checkbox"/>	<input type="checkbox"/>	<input type="checkbox"/>	<input type="checkbox"/>	<input type="checkbox"/>	<input type="checkbox"/>	<input type="checkbox"/>	<input type="checkbox"/>	<input type="checkbox"/>	<input type="checkbox"/>	<input type="checkbox"/>	<input type="checkbox"/>	<input type="checkbox"/>	<input type="checkbox"/>	<input type="checkbox"/>	<input type="checkbox"/>	<input type="checkbox"/>	<input type="checkbox"/>	<input type="checkbox"/>

table provide bulk selection functionality,
Click "Toggle On/Off" or "Toggle Reset" will select all time at a day

Port 1 (Hour)	Col Select All for Days	ROW Select All for Hour																							
		0	1	2	3	4	5	6	7	8	9	10	11	12	13	14	15	16	17	18	19	20	21	22	23
Sunday	Toggle On/Off	<input checked="" type="checkbox"/>	<input checked="" type="checkbox"/>	<input checked="" type="checkbox"/>	<input checked="" type="checkbox"/>	<input checked="" type="checkbox"/>	<input checked="" type="checkbox"/>	<input checked="" type="checkbox"/>	<input checked="" type="checkbox"/>	<input checked="" type="checkbox"/>	<input checked="" type="checkbox"/>	<input checked="" type="checkbox"/>	<input checked="" type="checkbox"/>	<input checked="" type="checkbox"/>	<input checked="" type="checkbox"/>	<input checked="" type="checkbox"/>	<input checked="" type="checkbox"/>	<input checked="" type="checkbox"/>	<input checked="" type="checkbox"/>	<input checked="" type="checkbox"/>	<input checked="" type="checkbox"/>	<input checked="" type="checkbox"/>	<input checked="" type="checkbox"/>	<input checked="" type="checkbox"/>	<input checked="" type="checkbox"/>
	Toggle Reset	<input checked="" type="checkbox"/>	<input type="checkbox"/>	<input type="checkbox"/>	<input type="checkbox"/>	<input type="checkbox"/>	<input type="checkbox"/>	<input type="checkbox"/>	<input type="checkbox"/>	<input type="checkbox"/>	<input type="checkbox"/>	<input type="checkbox"/>	<input type="checkbox"/>	<input type="checkbox"/>	<input type="checkbox"/>	<input type="checkbox"/>	<input checked="" type="checkbox"/>	<input type="checkbox"/>	<input type="checkbox"/>	<input type="checkbox"/>	<input type="checkbox"/>	<input type="checkbox"/>	<input type="checkbox"/>	<input type="checkbox"/>	<input type="checkbox"/>

Click "0" to "23" will select all day at a time,

Port 1 (Hour)	Col Select All for Days	0	1	2
		Sunday	Toggle On/Off	<input checked="" type="checkbox"/>
Toggle Reset	<input checked="" type="checkbox"/>		<input type="checkbox"/>	<input type="checkbox"/>
Monday	Toggle On/Off	<input checked="" type="checkbox"/>	<input checked="" type="checkbox"/>	<input type="checkbox"/>
	Toggle Reset	<input checked="" type="checkbox"/>	<input type="checkbox"/>	<input type="checkbox"/>
Tuesday	Toggle On/Off	<input checked="" type="checkbox"/>	<input type="checkbox"/>	<input type="checkbox"/>
	Toggle Reset	<input checked="" type="checkbox"/>	<input type="checkbox"/>	<input type="checkbox"/>
Wednesday	Toggle On/Off	<input checked="" type="checkbox"/>	<input type="checkbox"/>	<input type="checkbox"/>
	Toggle Reset	<input checked="" type="checkbox"/>	<input type="checkbox"/>	<input type="checkbox"/>
Thursday	Toggle On/Off	<input checked="" type="checkbox"/>	<input type="checkbox"/>	<input type="checkbox"/>
	Toggle Reset	<input checked="" type="checkbox"/>	<input type="checkbox"/>	<input type="checkbox"/>
Friday	Toggle On/Off	<input checked="" type="checkbox"/>	<input checked="" type="checkbox"/>	<input type="checkbox"/>
	Toggle Reset	<input checked="" type="checkbox"/>	<input type="checkbox"/>	<input type="checkbox"/>
Saturday	Toggle On/Off	<input checked="" type="checkbox"/>	<input type="checkbox"/>	<input type="checkbox"/>
	Toggle Reset	<input checked="" type="checkbox"/>	<input type="checkbox"/>	<input type="checkbox"/>

5.3 PoE Power Limit

In addition to supporting the IEEE802.3af/at Class limit, iNS-308 also provides the PoE Output Limit function for selection.

When the Class Defined Power Limit is checked (default) on the Home page of the web page, the power supply and overload protection will be in accordance with IEEE802.3af The Class classification defined by af/at sets the corresponding power upper limit. When the device load exceeds too much, it will power off and retry to protect the device.

Please refer to the following table for the class classification of the device.

IEEE802.3 af/at Class	CDPL Output Limit
Class 0	0~15.5W
Class 1	Max 4W
Class 2	Max 7W
Class 3	Max 15.5W
Class 4	Max 30W

Class Defined Power Limit When unchecked, it will enter the user-defined mode (Host Defined Power Limit). The upper limit of the power supply of each port is set in the Output Limit (W) menu of the status table below. The iNS-308 provides 4W, 7W, 15.5W and 30W are available.

PoE Supply Voltage (V)	Class Defined Power Limit (CDPL)	Jumbo Frame	Storm Filter
53	<input type="checkbox"/>	<input type="checkbox"/>	<input type="checkbox"/>

Port Number	PoE Enable	Output Limit (W)	Current (mA)	Watt (W)	TEMP (°C)	PD Class	Link Status	Link Config
Port 1	<input type="checkbox"/> ON	----	0	0.0	38	N/D	--- No Link ---	Auto
Port 2	<input type="checkbox"/> ON	4W 7W 15.5W 30W	0	0.0	35	N/D	--- No Link ---	Auto
Port 3	<input type="checkbox"/> ON	----	0	0.0	39	N/D	--- No Link ---	Auto
Port 4	<input type="checkbox"/> ON	----	0	0.0	37	N/D	100M/Full Duplex	Auto
Port 5	<input type="checkbox"/> ON	15.5W	0	0.0	38	N/D	--- No Link ---	Auto
Port 6	<input type="checkbox"/> ON	7W	0	0.0	37	N/D	--- No Link ---	Auto
Port 7	<input type="checkbox"/> ON	4W	0	0.0	37	N/D	--- No Link ---	Auto
Port 8	<input type="checkbox"/> ON	30W	53	2.8	39	0 (15.5W)	100M/Full Duplex	Auto

6. Advanced Ethernet configure

6.1 Loop Detect

iNS-308 has built-in network loop detection. When a loop occurs in the network configuration, iNS-308 will flash a light to remind the loop and perform packet control on the network port where the loop has occurred, which can reduce the loop caused to a certain extent. network is down.

6.2 Broadcast storm filter

iNS-308 provided broadcast storm protect function, after checking “broadcast storm filter” in home page, the iNS-308 will actively control the broadcast type packets(packet Destination Address is MAC FF:FF:FF:FF:FF:FF) to avoid a large number of broadcast packets occupying the network frequency. Broadcast leads to degradation of communication quality or network paralysis.

Strom Filter	Description
Disable(default)	Do not detection the packet.
Enable	Limited to only broadcast packets through 1280 packets per second. If iNS-308 detection Broadcast packet over threshold per second, the switch will drop the excess part to protect communication.

7. Modbus Information

The iNS-308 allow you to remotely control Power & configure terminals via an Ethernet connection and uses a master-slave communication technique in which only one device (the master) can initiate a transaction (called queries), while other devices (slaves) respond by either supplying the requested data to the master, or by taking the action requested in the query.

Most SCADA (Supervisory Control and Data Acquisition) and HMI software, such as Citect (Schneider Electric), ICONICS, iFIX, InduSoft, Intouch, Entivity Studio, Entivity Live, Entivity VLC, Trace Mode, Wizcon (EIUTIONS), and Wonderware, etc. can be used to easily integrate serial devices via the Modbus protocol.

7.1 What is Modbus TCP/IP?

Modbus is a communication protocol that was developed by Modicon Inc. in 1979. Detailed information regarding the Modbus protocol can be found at: <http://www.modbus.org>.

The different versions of the Modbus protocol used today include Modbus RTU, which is based on serial communication interfaces such as RS-485 and RS-232, as well as Modbus ASCII and Modbus TCP, which uses the Modbus RTU protocol embedded into TCP packets.

Modbus TCP is an internet protocol. The protocol embeds a Modbus frame into a TCP frame so that a connection oriented approach is obtained, thereby making it more reliable. The master queries the slave and the slave responds with a reply. The protocol is open and, hence, highly scalable.

7.2 Modbus Message Structure

Modbus devices communicate using a master-slave (client-server) technique in which only one device (the master/client) can initiate transactions (called queries). The other devices (slaves/servers) respond by either supplying the requested data to the master, or by taking the action requested in the query.

A query from a master will consist of a slave, or broadcast, address, a function code defining the requested action, any required data, and an error checking field. A response from a slave consists of fields confirming the action taken, any data to be returned, and an error checking field.

➤ The Modbus/TCP Message Structure

Bytes 00 - 05	Bytes 06 - 11
6-byte header	RTU Data

➤ The Leading 6 bytes of a Modbus/TCP Protocol Query

Byte 00	Byte 01	Byte 02	Byte 03	Byte 04	Byte 05
Transaction Identifier		Protocol Identifier		Length Field (upper byte)	Length Field (lower byte)

Transaction identifier = Assigned by the Modbus/TCP master (client)

Protocol identifier = 0

Length field (upper byte) = 0 (since all messages are smaller than 256)

Length field (lower byte) = The number of following RTU data bytes

➤ Modbus RTU Data Structure

Byte 06	Byte 07	Bytes 08 - 09	Bytes 10 - 11
Net ID (Station Number)	Function Code	Data Field	
		Reference Number (Address Mapping)	Number of Points

Net ID: Specifies the address of the receiver (i.e., the Modbus/TCP slave).

Function Code: Specifies the message type.

Data Field: The data block.

Net ID (Station Number)

The first byte in the frame structure of a Modbus RTU query is the address of the receiver. A valid address is in the range from 0 to 247. Address 0 is used for general broadcast purposes, while addresses 1 to 247 are assigned to individual Modbus devices.

Function Code

The second byte in the message structure of a Modbus RTU query is the function code, which describes what the slave device is required to do. Valid function codes range between 1 and 255. To answer the query, the slave device uses the same function code as contained in the request. The highest bit of the function code will only be set to '1' if an error occurs in the system. In this way, the master device will know whether or not the message has been correctly transmitted.

Code	Function
01 (0x01)	Read Coils status (Readback DO values)
02 (0x02)	Read Input Status (Read DI values)
03 (0x03)	Read Holding Registers (Readback AO values)
04 (0x04)	Read Input Registers (Read AI values)
05 (0x05)	Force Single Coil (Write DO values)
06 (0x06)	Set Single Register (Write AO values)
15 (0x0F)	Force Multiple Coils (Write Dos values)
16 (0x10)	Set Multiple Registers (Write AO values)

Data Field

Data is transmitted in 8-, 16- and 32-bit format. The data for 16-bit registers is transmitted in high-byte first format. For example: 0x0A0B will be transmitted as 0x0A, 0x0B. The data for 32-bit registers is transmitted as two 16-bit registers, and is low-word first. For example: 0x0A0B0C0D will be transmitted as 0x0C, 0x0D, 0x0A, 0x0B.

The data field for messages sent between a master device and a slave device contains additional information about the action to be taken by the master, or any information requested by the slave. If the master does not require this information, the data field can be empty.

7.2.1 01(0x01) Read the Status of the Coils

(Read DO Readback values)

This function code is used to read either the current status of the coils or the current Digital Output readback value from the iNS-308

[Request]

Byte	Description	Size	Value
00	Net ID (Station Number)	1 Byte	1 to 247
01	Function Code	1 Byte	0x01
02-03	Starting DO Address	2 Byte	Byte 02 = high byte Byte 03 = Low byte
04-05	Number of Points (Channels)	2 Byte	Byte 04 = high byte Byte 05 = Low byte

[Response]

Byte	Description	Size	Value
00	Net ID (Station Number)	1 Byte	1 to 247
01	Function Code	1 Byte	0x01
02	Byte Count	1 Byte	Byte Count of the Response ($n = (Points+7)/8$)
03	Data	n Byte	n= 1; Byte 03 = data bit 7 to 0 n= 2; Byte 04 = data bit 15 to 8 n= m; Byte m+2 = data bit (8m-1) to 8(m-1)

[Error Response]

Byte	Description	Size	Value
00	Net ID (Station Number)	1 Byte	1 to 247
01	Function Code	1 Byte	0x81
02	Exception Code	1 Byte	Refer to the Modbus Standard Specifications for more details

7.2.2 02(0x02) Read the Status of the Input (Read DI values)

This function code is used to read the current Digital Input value from the iNS-308

[Request]

Byte	Description	Size	Value
00	Net ID (Station Number)	1 Byte	1 to 247
01	Function Code	1 Byte	0x02
02-03	Starting DI Address	2 Byte	Byte 02 = high byte Byte 03 = Low byte
04-05	Number of Points (Channels)	2 Byte	Byte 04 = high byte Byte 05 = Low byte

[Response]

Byte	Description	Size	Value
00	Net ID (Station Number)	1 Byte	1 to 247
01	Function Code	1 Byte	0x02
02	Byte Count	1 Byte	Byte Count of the Response ($n = (Points+7)/8$)
03	Data	n Byte	n= 1; Byte 03 = data bit 7 to 0 n= 2; Byte 04 = data bit 15 to 8 n= m; Byte m+2 = data bit (8m-1) to 8(m-1)

[Error Response]

Byte	Description	Size	Value
00	Net ID (Station Number)	1 Byte	1 to 247
01	Function Code	1 Byte	0x82
02	Exception Code	1 Byte	Refer to the Modbus Standard Specifications for more details

7.2.3 03(0x03) Read the Holding Registers

(Read AO Readback values)

This function code is used to readback either the current values in the holding registers or the Analog Output value from the iNS-308. These registers are also used to store the preset values for the Digital Counter, the host watchdog timer, the module name and the TCP timeout, etc.

[Request]

Byte	Description	Size	Value
00	Net ID (Station Number)	1 Byte	1 to 247
01	Function Code	1 Byte	0x03
02-03	Starting AO Address	2 Byte	Byte 02 = high byte Byte 03 = Low byte
04-05	Number of Registers (Channels)	2 Byte	Word Count Byte 04 = high byte Byte 05 = Low byte

[Response]

Byte	Description	Size	Value
00	Net ID (Station Number)	1 Byte	1 to 247
01	Function Code	1 Byte	0x03
02	Byte Count	1 Byte	Byte Count of the Response (n = Points x 2 Byte)
03	Register Values	n Byte	n= 1; Byte 03 = high byte n= 2; Byte 04 = Low byte n= m; Byte m+1 = high byte Byte m+2 = Low byte

[Error Response]

Byte	Description	Size	Value
00	Net ID (Station Number)	1 Byte	1 to 247
01	Function Code	1 Byte	0x83
02	Exception Code	1 Byte	Refer to the Modbus Standard Specifications for more details

7.2.4 04(0x04) Read the Input Registers (Read AI values)

This function code is used to read either the input registers or the current analog input value from the iNS-308. These registers are also used to store the current value for the digital counter, the number of DI channels and the number of DO channels, etc.

[Request]

Byte	Description	Size	Value
00	Net ID (Station Number)	1 Byte	1 to 247
01	Function Code	1 Byte	0x04
02-03	Starting AI Address	2 Byte	Byte 02 = high byte Byte 03 = Low byte
04-05	Number of Registers (Channels)	2 Byte	Word Count Byte 04 = high byte Byte 05 = Low byte

[Response]

Byte	Description	Size	Value
00	Net ID (Station Number)	1 Byte	1 to 247
01	Function Code	1 Byte	0x04
02	Byte Count	1 Byte	Byte Count of the Response (n = Points x 2 Byte)
03	Register Values	n Byte	n= 1; Byte 03 = high byte n= 2; Byte 04 = Low byte n= m; Byte m+1 = high byte Byte m+2 = Low byte

[Error Response]

Byte	Description	Size	Value
00	Net ID (Station Number)	1 Byte	1 to 247
01	Function Code	1 Byte	0x84
02	Exception Code	1 Byte	Refer to the Modbus Standard Specifications for more details

7.2.5 05(0x05) Force a Single Coil (Write DO value)

This function code is used to set the status of a single coil or a single Digital Output value for the iNS-308.

[Request]

Byte	Description	Size	Value
00	Net ID (Station Number)	1 Byte	1 to 247
01	Function Code	1 Byte	0x05
02-03	DO Address	2 Byte	Byte 02 = high byte Byte 03 = Low byte
04-05	Output Value	2 Byte	0xFF 00 sets the output to ON 0x00 00 sets the output to OFF Byte 04 = high byte Byte 05 = Low byte

[Response]

Byte	Description	Size	Value
00	Net ID (Station Number)	1 Byte	1 to 247
01	Function Code	1 Byte	0x05
02	DO Address	2 Byte	The value is the same as Bytes 02-03 of the Request
03	Output Value	2 Byte	The value is the same as Bytes 04-05 of the Request

[Error Response]

Byte	Description	Size	Value
00	Net ID (Station Number)	1 Byte	1 to 247
01	Function Code	1 Byte	0x85
02	Exception Code	1 Byte	Refer to the Modbus Standard Specifications for more details

7.2.6 06(0x06) Set a Single Register (Write AO value)

This function code is used to set a specific holding register to store the configuration values for the iNS-308.

[Request]

Byte	Description	Size	Value
00	Net ID (Station Number)	1 Byte	1 to 247
01	Function Code	1 Byte	0x06
02-03	AO Address	2 Byte	Byte 02 = high byte Byte 03 = Low byte
04-05	Output Value	2 Byte	Byte 04 = high byte Byte 05 = Low byte

[Response]

Byte	Description	Size	Value
00	Net ID (Station Number)	1 Byte	1 to 247
01	Function Code	1 Byte	0x06
02-03	DO Address	2 Byte	The value is the same as Bytes 02-03 of the Request
04-05	Output Value	2 Byte	The value is the same as Bytes 04-05 of the Request

[Error Response]

Byte	Description	Size	Value
00	Net ID (Station Number)	1 Byte	1 to 247
01	Function Code	1 Byte	0x86
02	Exception Code	1 Byte	Refer to the Modbus Standard Specifications for more details

7.2.7 15(0x0F) Force Multiple Coils (Write DO values)

This function code is used to set the status of multiple coils or to write multiple Digital Output values for the iNS-308

[Request]

Byte	Description	Size	Value
00	Net ID (Station Number)	1 Byte	1 to 247
01	Function Code	1 Byte	0x0F
02-03	Starting DO Address	2 Byte	Byte 02 = high byte Byte 03 = Low byte
04-05	Output Value	2 Byte	Byte 04 = high byte Byte 05 = Low byte
06	Byte count	1 Byte	$n = (Points + 7) / 8$
07	Output value	n Byte	A bit corresponds to a channel. A value of 1 for a bit denotes that the channel is ON, while a value of denotes that the channel is OFF. n= 1; Byte 07 = data bit 7 to 0 n= 2; Byte 08 = data bit 15 to 8 n= m; Byte m+6 = data bit (8m-1) to 8 (m-1)

[Response]

Byte	Description	Size	Value
00	Net ID (Station Number)	1 Byte	1 to 247
01	Function Code	1 Byte	0x0F
02-03	DO Address	2 Byte	The value is the same as Bytes 02-05 of the Request
04-05	Output Value	2 Byte	

[Error Response]

Byte	Description	Size	Value
00	Net ID (Station Number)	1 Byte	1 to 247
01	Function Code	1 Byte	0x8F
02	Exception Code	1 Byte	Refer to the Modbus Standard Specifications for more details

7.2.8 16(0x10) Set Multiple Registers (Write AO values)

This function code is used to set multiple holding registers that are used to store the configuration values for the iNS-308.

[Request]

Byte	Description	Size	Value
00	Net ID (Station Number)	1 Byte	1 to 247
01	Function Code	1 Byte	0x10
02-03	Starting AO Address	2 Byte	Byte 02 = high byte Byte 03 = Low byte
04-05	Number of Registers (Channels)	2 Byte	Byte 04 = high byte Byte 05 = Low byte
06	Byte count	1 Byte	$n = (\text{Points} + 7) / 8$
07	Register Values	n Byte	n= 1; Byte 03 = high byte n= 2; Byte 04 = Low byte n= m; Byte m+1 = high byte Byte m+2 = Low byte

[Response]

Byte	Description	Size	Value
00	Net ID (Station Number)	1 Byte	1 to 247
01	Function Code	1 Byte	0x10
02-03	Starting DO Address	2 Byte	The value is the same as Bytes 02-05 of the Request
04-05	Number of Registers (Channels)	2 Byte	

[Error Response]

Byte	Description	Size	Value
00	Net ID (Station Number)	1 Byte	1 to 247
01	Function Code	1 Byte	0x90
02	Exception Code	1 Byte	Refer to the Modbus Standard Specifications for more details

7.3 Modbus Register Table

➤ 0xxxx: DO address (Base 0)

Address	CH	Description	Range	Access Type
00000~00007	8	PoE Enable	0=OFF, 1=ON	R/W
00032	1	PoE CDPL enable Auto Class Define Power Limit	0=Disable 1=Enable	R/W
00040	1	Ethernet Jumbo Frame	0=Disable 1=Enable	R/W
00041	1	Ethernet Loop Detect	0=Disable 1=Enable	R/W
00042	1	Ethernet Broadcast storm filter	0=Disable 1=Enable	R/W

➤ 3xxxx: AI address (Base 0)

Address	CH	Description	Range	Access Type
30000~30007	8	PoE Port Current (mA)	2-Byte, DEC(mA)	R
30032~30040	8	PoE Port watt (mW)	2-Byte, DEC(mW)	R
30096~30103	8	PoE Port TEMP (°C)	2-Byte, DEC(°C)	R
30129~30137	8	PoE Port PD Device Class	Detect PD Class 0~4 5 is unknow	R
30160	1	PoE Port Volt	2-Byte, DEC(V)	R
30192~30200	8	Ethernet Link status	1 =>100M Full 2 =>100M Half 3 =>10M Full 4 =>10M Half 5 =>unlink	R
30256	1	Module Name	2-Byte, Hex 0x0308	R
30257	1	FW version	2-Byte, Hex	R
30258	1	HW version	2-Byte, Hex	R

➤ 4xxxx: AO address (Base 0)

Address	CH	Description	Range	Access Type
40000~40007	8	PoE Host Power output Limit	1 => 4W 2 => 7W 3 => 15.5W 4 => 30W	R/W
40032	1	Ethernet Link status Configure	0 => auto negotiation 1 => 100M Full 2 => 100M Half 3 => 10M Full 4 => 10M Half	R/W

Revision History

Revision	Date	Description
1.0.0	Dec.2022	New