



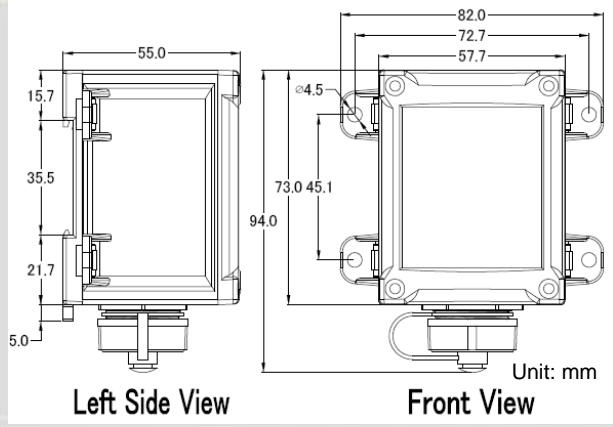
M2M Series Products



Tiny 4G Remote Terminal Unit with GPS



RTU-140



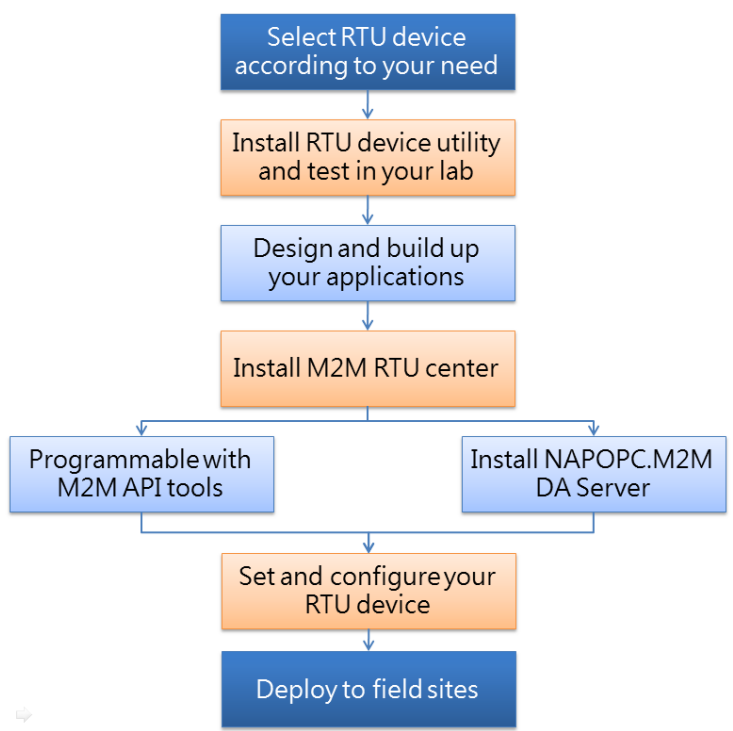
Dimensions

RTU-140 is an intelligent active 4G remote terminal unit with GPS. It can be used in M2M application fields to transfer the GPS and Modbus device's data via LTE/WCDMA by the defined period. The GPS and Modbus device's data can also be stored in the micro SD card to become a remote data logger. With the simple I/O linkage function, RTU-140 can reach the real time control in local field.

Features

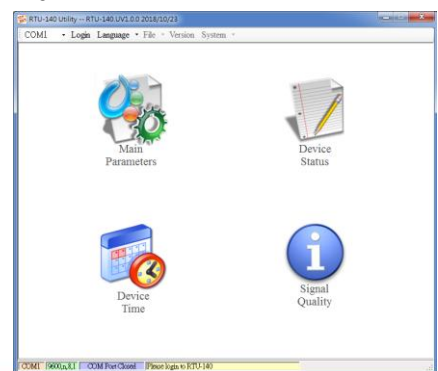
- Support WCDMA 850/2100 MHz
- Support LTE-FDD B1/B3/B5/B7/B8/B28
- Automatic/continuous 3G/4G link management
- Max 3 Modbus RTU devices via RS-485 port
- Support M2M OPC server and M2M API tools
- Support data logger in micro SD card
- Support 3.7V Li-ion Battery backup (Option)
- Support +10 VDC ~ +30 VDC Power Input
- IP66 Waterproof
- Support GPS function

Application flow chart



Utility

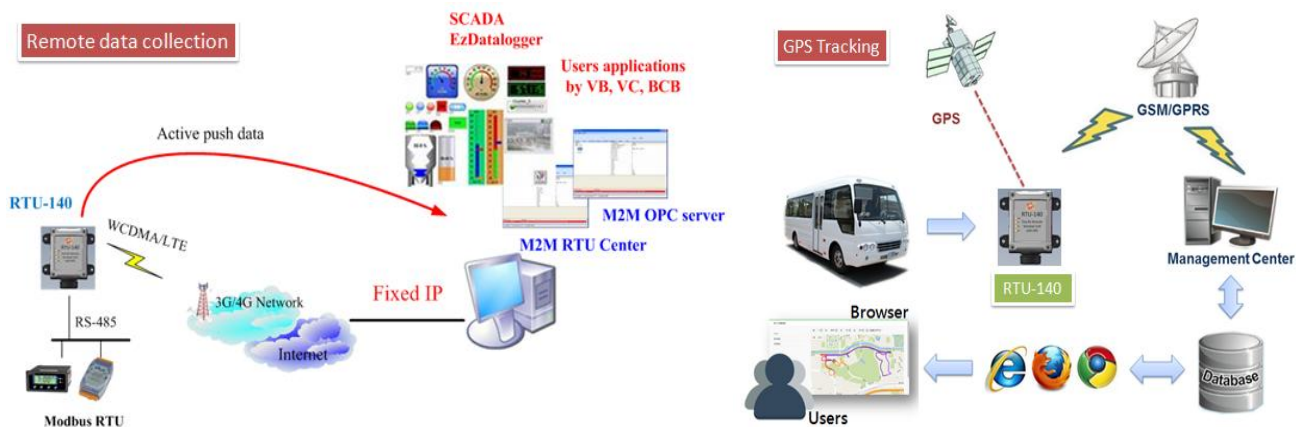
GUI tool, provide users to easily set up and diagnosis RTU-140.



Hardware Specifications

	RTU-140
System	
CPU	32 bit, Microprocessor
Micro SD Interface	4 GB Max.
Serial Ports	
Utility port	USB : for configuration only
COM1	RS-485 : D+, D- for Modbus RTU device connectivity
3G System	
Frequency Band	WCDMA 850/2100 MHz
4G System	
Frequency Band	LTE-FDD B1/B3/B5/B7/B8/B28
GPS Interface	
GNSS	GPS+GLONASS
Sensitivity	Tracking = up to -165 dBm; Acquisition = up to -148 dBm
Acquisition Time	Cold / Warm / Hot Start Time : 35 / 30 / 1 sec. at open sky and stationary
Protocol Support	NMEA 0183 version 4.0
General	
Power Requirement	4W; Unregulated +10V _{DC} ~ +30V _{DC} . Support 3.7V Li-battery backup
LEDs	4 indicator LEDs
Mechanical	
Casing	Plastic
Dimensions	94 mm x 82 mm x 55 mm (long*width* high)
Waterproof Level	IP66
Installation	DIN-Rail; Wall mount
Environment	
Operation Temp.	-25°C to 75°C
Storage Temp.	-30°C to 80°C
Humidity	5~95% non-condensing

Application



Ordering Information

RTU-140 CR

Tiny 4G Remote Terminal Unit with GPS (RoHS)